


This copper network card is used to allow data to pass between control panels and network nodes installed in a networked fire system. The card must be plugged into the backplane of the panel or node in a dedicated slot. When it is plugged into the slot P8 on the backplane the external cables must be connected to terminal block P10, which is also on the backplane.

The dual-in-line switches on the card are set to program the address number and baud rate.

 **Where a copper network card is plugged into a control panel or network node, ensure the panel/node Local Controller software is at Version 4.00 or later.**

This network card can be installed in:

*Vigilon Fire Panels*

- VIG1
- VIG1-NET
- VIG2
- VIG2-NET
- VIG3
- VIG3-NET
- VIG4
- VIG4-NET

*Vigilon Network Node*

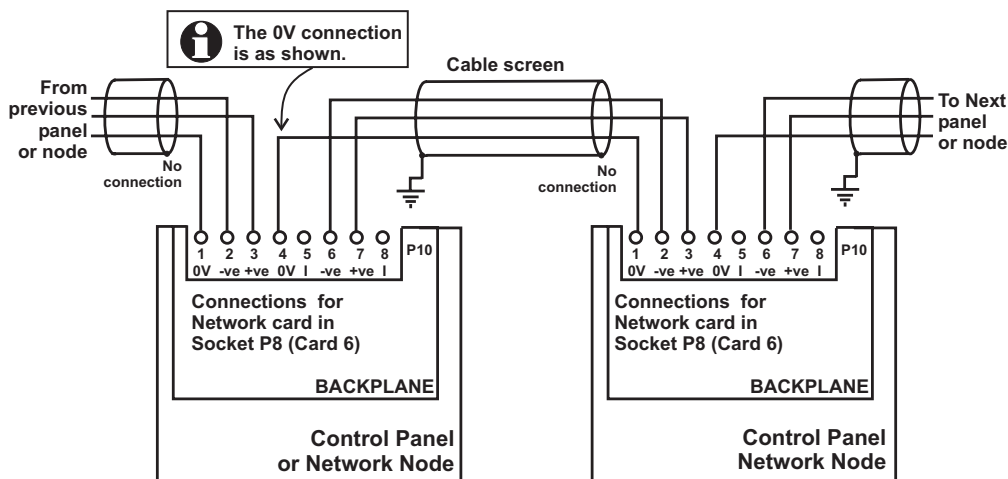
- VIG-NODE.

**Technical data**

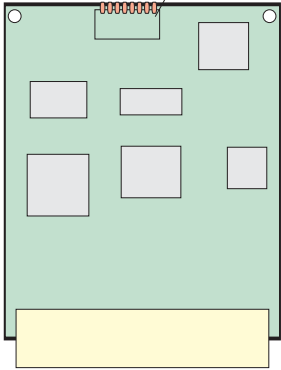
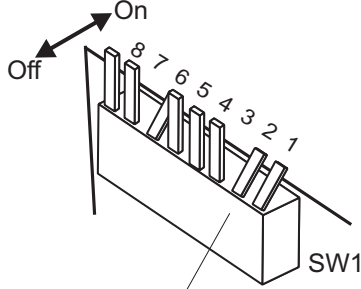
Overall size	128mm height x 100mm width
Node address range	1 to 31
Baud	2400, 9600, 19.2K and 38.4K
Operating voltage	±5V (RS485)
Terminations	Terminal block P10 assuming Network card is installed in backplane slot P8
Cable	Belden 9729 (example)
Weight	72g (approximate)
Operating temperature	0°C to 45°C
Storage temperature	-10°C to 55°C
Relative humidity (non condensing)	up to 90%

Using the Copper Network card a maximum of up to 31 Control panels and Network nodes can be connected in a secure network loop, with up to 1.2Km cable distance between panels/nodes dependent on cable type.

**Connecting the Panels and Nodes**



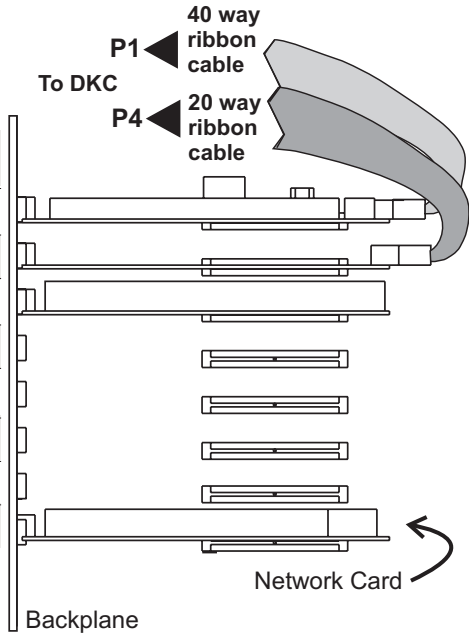
Switch settings



Copper Network Card


backplane		
MCC / LCC	P1	CARD 0
IOC / NC	P2	CARD 15
LOOP 1	P3	CARD 1
LOOP 2	P4	CARD 2
LOOP 3	P5	CARD 3
LOOP 4	P6	CARD 4
IOC / NC	P7	CARD 5
NC	P8	CARD 6

LCC - Local Controller Card  
 MCC - Main Control Card  
 IOC - Input Output Card  
 NC - Network Card  
 LOOP n - Loop Processor Card



The copper network card is factory set for 38.4K baud with node address 4.

Node address	Node address switch numbers and settings						Baud rate switch numbers and settings			
	8	7	6	5	4	3	2	1	Baud	
64	off	off	off	off	off	off	off	off	2400	
1	on	off	off	off	off	off	on	off	9600	
2	off	on	off	off	off	off	off	on	19.2K	
3	on	on	off	off	off	off	on	on	38.4K	
4	off	off	on	off	off	off				
63	on	on	on	on	on	on				
	Address						Baud			
	- factory settings									



**WEEE Directive:**  
 At the end of their useful life, the packaging, product and batteries should be disposed of via a suitable recycling centre. Do not dispose of with your normal household waste. Do not burn.

Gent by Honeywell reserves the right to revise this publication from time to time and make changes to the content hereof without obligation to notify any person of such revisions of changes.

<b>GENT</b> by Honeywell	Hamilton Industrial Park, Waterside Road, Leicester LE5 1TN, UK	Website: www.gent.co.uk
	Telephone +44 (0) 116 246 2000	Fax (UK): +44 (0)116 246 2300