

# Installation Base S4-700

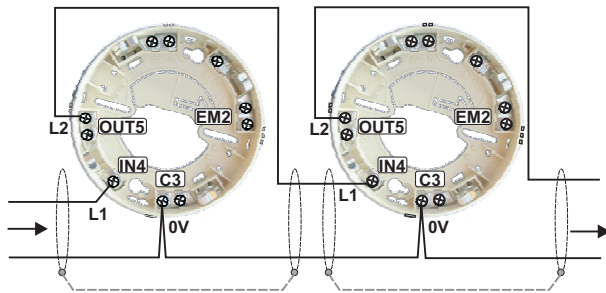


The base S4-700 is designed to accept the range of combined detection and alarm devices.

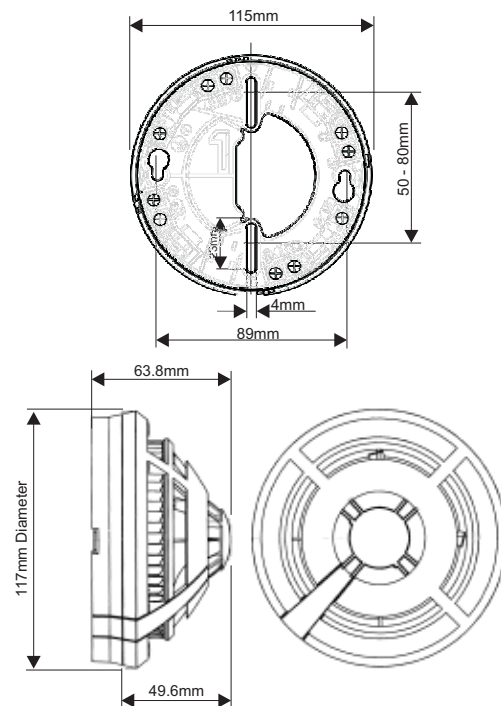
### Specification

Ambient temperature	-20°C to +54°C
Storage temperature	-25°C to +70°C
Ambient humidity	<95% relative (non condensing)
Terminals	0.6mm <sup>2</sup> to 2mm <sup>2</sup>
Housing	ABS-V0
Colour	White (RAL 9010)
Weight	60g approximately
Dimensions	Depth 24mm x 115mm diameter

### In - Out wiring to bases

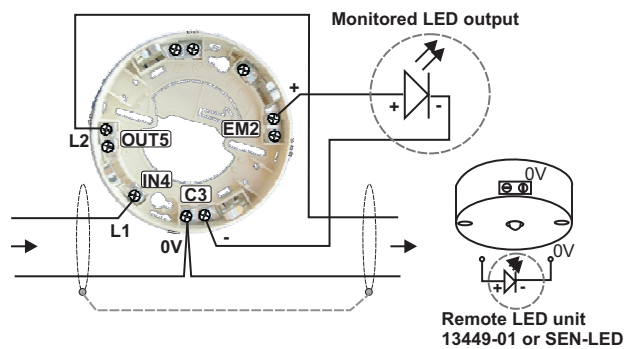


### Dimensions and mounting

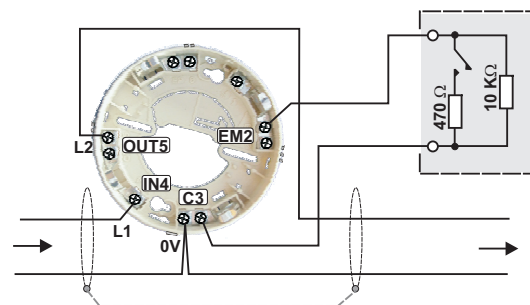


### Wiring a Remote LED

Only one remote LED unit 13449-01 or SEN-LED can be wired to a base.

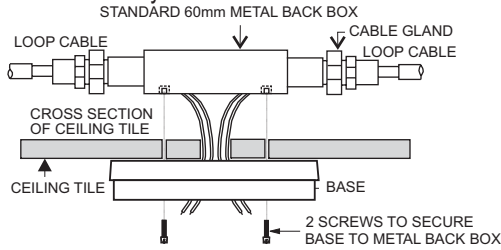


### Wiring a monitored input



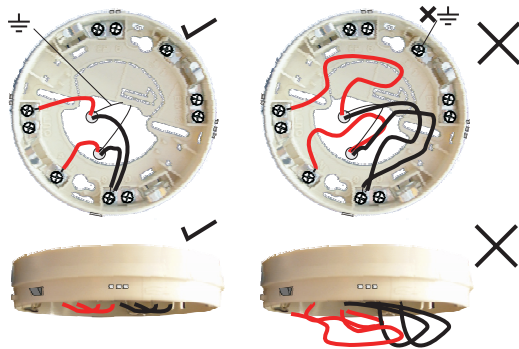
**Metal back box**

A metal back box must be used for base mounting. The earth continuity must be maintained throughout the whole loop. The earth must be securely connected to the metal back box.



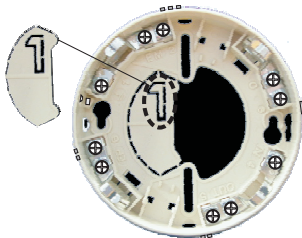
**Do's and Don'ts**

Earth wire should be terminated in the wiring junction box (e.g. BESA box) on which the base is mounted.

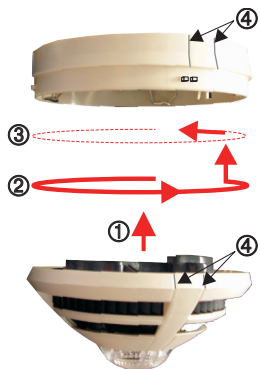


Wires should be of minimal excess length and be pushed back flat inside the base.

**Remove cutout to ease wiring**



**To fit Device to base**



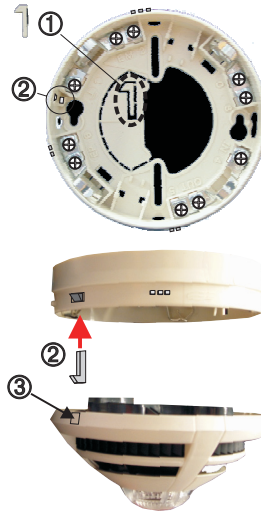
Offer device ① to base and rotate clockwise until it moves upwards on to the base ② and rotate again until it clicks and goes no further ③, the lines ④ on the base and device will align.

**To remove device from base**



Turn the device anticlockwise ① until it stops and ② remove from the base.

**Fitting the locking peg**



Remove the locking peg from cutout on the base ① and insert it in base ②. Pierce the pre-cut opening ③ in device.

**To remove locked device from base**



Push the locking peg in ① and turn device anticlockwise until it stops and then remove it from base ②.

**⚠ If a device is locked in, it can only be removed by access to the locking peg as instructed. The standard removal / extractor tool cannot be used to remotely remove a locked device from base.**

Honeywell Life Safety Systems (UK and Ireland) reserves the right to revise this publication from time to time and make changes to the content hereof without obligation to notify any person of such revisions of changes.

	Hamilton Industrial Park, Waterside Road, Leicester LE5 1TN, UK	Websites: <a href="http://www.gent.co.uk">www.gent.co.uk</a> <a href="http://www.smsfire.co.uk">www.smsfire.co.uk</a>
	Telephone Gent +44 (0) 116 246 2000 SMS +44 (0) 116 246 2100	