

## ONYXWORKS Fire System Monitoring

ONYXWorks



ONYXWorks - Graphical Fire System Monitoring

### Local and Remote Fire System Monitoring

ONYXWorks is a PC based graphical workstation that displays fire information directly from your live system.

Using both text and colour graphical display, the ONYXWorks PC workstation allows the operator to view and manage multiple local device networks and remote sites. It is an ideal addition to the ID<sup>2</sup>net network and the perfect retrofit solution to integrate existing NOTIFIER ID3000 fire alarm panels.

### Intuitive User Interface

ONYXWorks has an intuitive graphic user interface to facilitate setup and minimise operator training. The system displays and controls fire alarm panels from a single computer interface.

ONYXWorks presents graphical floor plans for fire and non-fire reporting as well as a history manager that tracks, stores and filters events for viewing.

ONYXWorks is an event manager for a range of fire alarm control panels and life safety systems. Operators are presented with a consistent interface for all monitored equipment. The workstation features customisable screens and has many configuration options to meet your specific needs, further simplifying every day use.

### Flexibility

By using a system of Gateways and plug-ins, ONYXWorks allows the system to be easily expanded and altered during an installation's life. The system is based on TCP/IP networks allowing the reuse of existing infrastructure giving a greater degree of flexibility as the workstation can now be remotely located from the panel network or even the site itself.

### Traceability and Security

ONYXWorks Security Profiles prohibit unauthorised access. System Administrators define and maintain unique security profiles as well as determine which users have access to ONYXWorks. This, coupled with a History log, allows for a full audit trail, recording all event details and operators' actions. The History log also includes powerful search tools allowing any potential maintenance issues to be identified proactively.

### Easy System Setup

ONYXWorks' setup is simplified by allowing the import of existing files of your building plans. CAD floor plans can be imported as bitmap (BMP) or Windows® Metafiles (WMF) directly into ONYXWorks for decreased system configuration time. Its Auto creation of Devices function allows rapid addition of a device on your system. The Auto creation of Devices in the workstation automates setup and provides the icon. This utility then adds the device icon into the floor plan with all the pertinent information.

## Overview

- › Operates on Microsoft Windows 10 (64 bit, Enterprise)
- › Supports up to 200 intelligent gateways, with 63 nodes per gateway
- › Maximum Remote Users: 50
- › Point Capacity: 250,000
- › History File Capacity: 2.5 Million Records
- › Compatible with Ethernet-based networks

## User Interface

- › Customizable interface provides flexibility to display information as desired.
- › Supports dual monitors
- › Dynamically generated floor plan overview provides point of reference when using the zoom function
- › Device information, including point address and description, can be quickly accessed through icon left-click function
- › Navigational tree, icons and configurable areas provide easy access to system floor plans



## Event Notification and Response

- › Graphic and text display of all off-normal events.
- › Six states can be visually represented for each input device: Normal, Trouble, Fire Alarm, Pre-Alarm (detectors), Disabled, and Security.
- › Automatic screen navigation (configurable) to the device in alarm, based on event priority.
- › Multimedia (text, audio, video and bitmaps) can be linked to any device, providing instructions to operators for event response.
- › Operator log with response tracking.
- › E-mail and text notification for off-normal events.

## System Setup

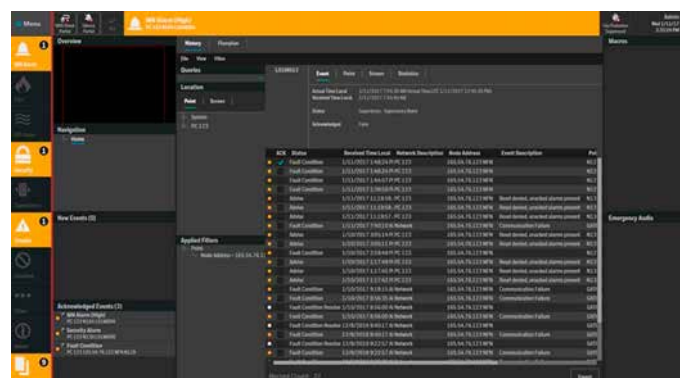
- › Graphic Editing mode allows on-site or off-site system setup.
- › Drag/Drop devices - Add devices easy by eliminating the need to copy and paste from different screens.
- › Import building floor plan CAD drawings (as a .DXF, .WMF, .BMP, .JPG, or .GIF).
- › Customizable device icon and colors to visually represent each event type.
- › User defined icons can be globally defined (.PNG, .BMP, .WMF, .JPG, and .GIF formats).

## Secure Access

- › System Administrator-definable user profiles provide strict levels of access.
- › Monitoring and Control profiles delineate defined operator accounts.
- › Operator Login/Logout/Change Password feature allows only authorized personnel to access the system.
- › Logs in history of any operator changes in the workstation.

## Operations

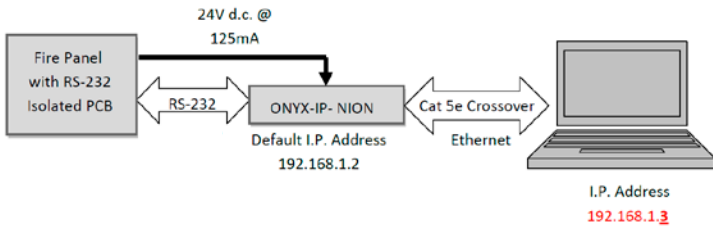
- › Macros provide customizable programming to simplify repetitive tasks (disable/enable, de-activate/activate).
- › Individual device control through icon right-click function.
- › Quick access to device information including analog values through right-click functionality
- › History Manager: Filterable history reporting serves as a valuable maintenance and diagnostic tool to identify patterns.
- › Backup capability for screen, member, and history databases.



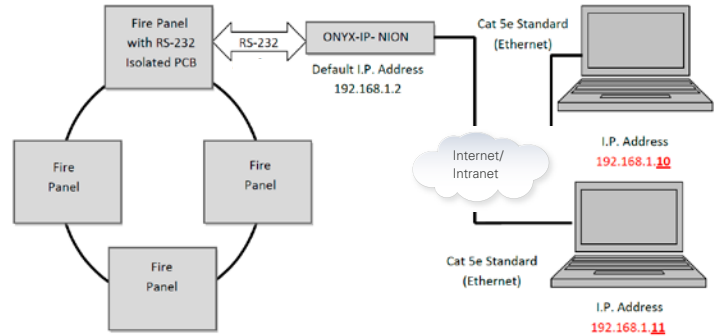
## Local and Remote Fire System Monitoring

ONYXWorks interfaces directly to an ID3000 fire system using an ONYX-IP-NION Gateway. The ONYX-IP-NION Gateway is an intelligent interface used by an ONYXWorks system that facilitates monitoring and control of an ID3000 network and NOTIFIER fire panels. The ONYX-IP-NION gateway enables users to monitor multiple sites (local or remote) over an IP network.

### Local Monitoring



### Remote Monitoring



## Specifications

### ONYX-SW-PC - FIRE GRAPHICS HARDWARE & SOFTWARE PACKAGE

PC	Graphics PC with Intel® i7-4700EQ, 2.4GHz, QM87, 4th Gen, (four cores/8 threads), 6 MB of Cache, 16 GB of RAM, a 240 GB solid-state hard drive.
SOFTWARE	ONYXWorks software pre-installed (licence to be purchased separately - OW-EN-SW-VCN)
PERIPHERALS INCLUDED	Optical mouse & keyboard (no monitor)
MAX. QUANTITY	50 workstations per system
IP LINK	Static IP link required
OPERATING TEMPERATURE	0°C to 49°C (32°F to 120°F)

### ONYX-IP-NION

POWER INPUT	24 VDC
INPUT CURRENT	450 mA @ 24 VDC
OPERATING TEMPERATURE	0°C to 49°C
CONNECTION	to ID3000 fitted with RS232 Comm. card
IP NION	Max. 200 per system
IP LINK	Static IP address required

### ORDERING INFORMATION\*

ONYX-SW-PC	ONYXWorks V4 Fire Graphics Complete with PC. Includes Windows 10 PC, Mouse, Keyboard and ONYXWorks V4 IP software pre-installed (No software licence or monitor(s) included)
991-101	22" Flat panel LCD Dell Monitor - Minimum resolution of 1280 x1024 22" Landscape Mode
ONYX-IP-NION	IP Gateway NION, for connection to Notifier fire panel. Requires DC power and Enclosure.
002-439	Multi-Mount enclosure. Metal, Notifier Black/Grey – One per NION
OW-EN-SW-VCN	ONYXWorks V4 Software View + Control Licence (incl. 5 yr. maintenance)

## NOTIFIER by Honeywell

140 Waterside Road  
Hamilton Industrial Park  
Leicester LE5 1TN

T: +44 (0) 203 409 1779  
www.notifierfiresystems.co.uk

This document is not intended to be used for installation purposes.  
We try to keep our product information up-to-date and accurate.  
We cannot cover all specific applications or anticipate all requirements.  
All specifications are subject to change without notice.

©2020 NOTIFIER by Honeywell. All rights reserved.  
Unauthorized use of this document is strictly prohibited.

N-ONYXWorks\_EN | Rev 02 | 09-2020

