

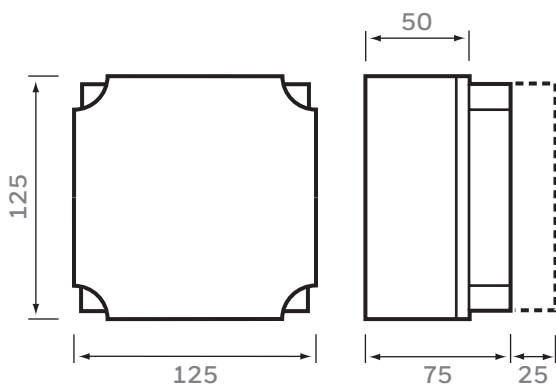
## Relays

Relay enclosure to house applications involving switching and timers.

All purpose polycarbonate construction.

Suitable for activating class change or 'start work' signals.

### Dimensions (mm)



### Description

Low Profile Enclosure.

ORDER CODES		SPECIFICATION	
24V DC DPCO RELAY C/W HIGH PROFILE ENCLOSURE	19107-52	COIL VOLTAGE	24V dc
24V DC RELAY BASE AND DIODE	19104-52	COIL CURRENT	50mA
TIMER OCTAL BASE 2-32 SECS. DOE 24V DC C/W BASE	19106-02	CONTACT RATING 240V AC	6A
<b>ENCLOSURES AND ACCESSORIES FOR RELAYS</b>		CONTACT RATING 24V DC	5A
HIGH PROFILE ENCLOSURE WITH DIN RAIL 125X125X100MM	19100-02	PROFILE	High
		MAX. CAPACITY	4 mini relays
		INGRESS PROTECTION	IP67
		OPERATING TEMPERATURE	Indoor/Outdoor, 0 -40°C

### For more information

[www.gent.co.uk](http://www.gent.co.uk)

### Honeywell Gent

140 Waterside Road  
Hamilton Industrial Park,  
Leicester, LE5 1TN  
Telephone: 0116 246 2042  
E-mail: [gentenquiry@honeywell.com](mailto:gentenquiry@honeywell.com)

Content subject to change  
without notice.

GEN145 | 03/2017  
© 2017 Honeywell International Inc.