

Farenhyt



Intelligent Power Module

6 Amp Intelligent Distributed Power Module

RPS-1000

RPS-1000 intelligent distributed power module adds 6.0 amps of power, six Flexput™ I/O circuits, and two Form C relay circuits to a compatible Farenhyt addressable system. RPS-1000 connects to the FACP via the RS-485 system bus allowing up to an additional 6,000 feet of wiring. Each RPS-1000 is optically isolated providing ground loop isolation and transient protection. RPS-1000 supports its own backup battery and monitors the AC power. The Flexput circuits can be programmed as notification appliance circuits, continuous, resettable, or door holder power, or as conventional initiation circuits for 2 or 4-wire smoke detectors and contact devices (e.g. pull stations).

Features

- Six onboard Flexput circuits programmable for:
 - Notification appliance circuits (Class B/Style Y & Class A/Style Z)
 - Conventional initiation circuits (Class B/Style B & Class A/Style D) both 2- and 4-wire
 - Auxiliary power (for door holders, continuous power, or resettable power)
- 6.0 amps output power
- Supports Class A (Style 6) and Class B (Style 4) configuration of the SBUS
- Two Form C programmable relays rated at 2.5A @ 24 VDC
- Ground loop isolation and transient protection
- Provides SBUS optical isolation and re-conditions the RS-485 signal
- Built-in synchronization for appliances from System Sensor®, AMSECO, Gentex®, Faraday, and Wheelock®
- Up to 6,000 foot wiring distance from the RPS-1000
- Battery charging capacity is 35 Ah
- Large cabinet size can house two 18 Ah backup batteries or RBB accessory cabinet can house battery sizes larger than 18 Ah
- Room to mount two 5815XL SLC expander modules

Agency Listings



MEA
approved
429-92-E Vol IX



RPS-1000

Compatibility

RPS-1000 is compatible with the following FACPs:

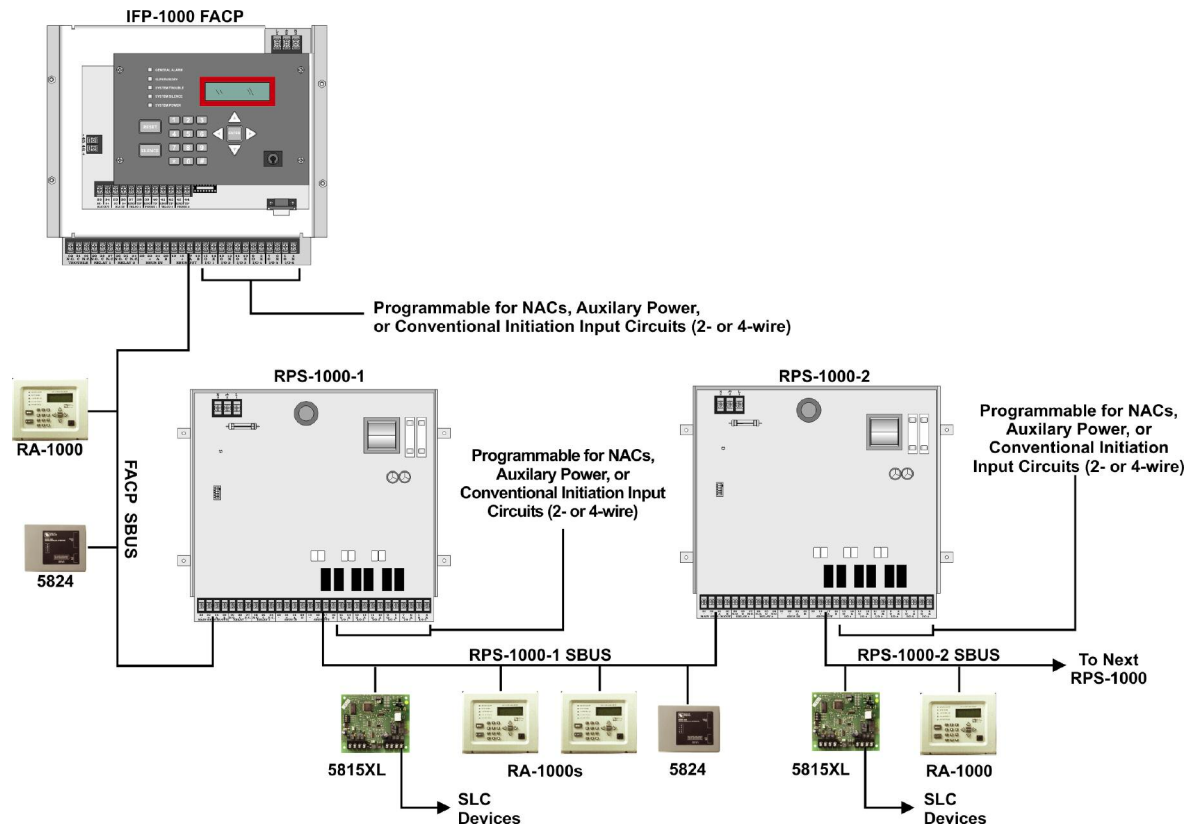
- IFP-2000/RPS-2000 (63 max per panel)
- IFP-2000ECS (63 max per panel)
- IFP-1000 (8 max per panel)
- IFP-1000ECS (8 max per panel)
- IFP-100 (8 max per panel)
- IFP-100ECS (8 max per panel)
- IFP-50 (8 max per panel)

Installation

RPS-1000 can be surface or flush mounted.

P/N 350070 Rev J

Copyright © 2015 Honeywell International Inc.



Specifications

Electrical

Primary AC:

120 VRMS, 50 or 60 Hz, 2.7A, or
240 VRMS 50 or 60 Hz, 1.4A

Total Accessory Load: 6A @ 24 VDC

Standby & Alarm Current: 10 mA

Flexput Circuits:

Notification: 3 amps per circuit (6A system total)

Initiation: 100 mA power limited @ 24 VDC

Physical

Mounting Dimensions:

14.5"W x 24.75"H x 3.9"D

(36.8 cm W x 62.9 cm H x 9.8 cm D)

Overall Dimensions:

16.1"W x 26.4"H x 4.1"D

(40.6 cm W x 67 cm H x 11.8 cm D)

Color: Red

Environmental

Operating Temperature: 32°F – 120°F (0°C – 49°C)

Humidity: 10% – 93% non-condensing

Approvals

- UL 864
- NFPA 13, NFPA 15, NFPA 16, NFPA 70, NFPA 72, & NFPA 101
- CSFM
- MEA 429-92-E Vol. IX
- FM
- OSHPD (CA) OSP-0065-10

Ordering Information

RPS-1000 Intelligent Distributed Power Module. Specify 120 VAC or 240 VAC operation when ordering.

Accessories

RBB	Remote Battery Box Accessory Cabinet. 16" W x 10" H x 6" D (406 mm W x 254 mm H x 152 mm D)
AB-55	Remote Battery Box Accessory Cabinet. 20"W x 12" H x 7.5" D
5815XL	SLC Expander Module
SK-SCK	Seismic Compliance Kit

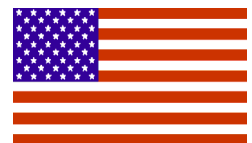


**SILENT
KNIGHT**

by Honeywell

This document is not intended to be used for installation purposes. We try to keep our product information up-to-date and accurate. We cannot cover all specific applications or anticipate all requirements. All specifications are subject to change without notice. For more information, contact Silent Knight 12 Clintonville Road, Northford, CT 06472-1610 Phone: (800) 328-0103, Fax: (203) 484-7118. For Technical Support, Please call 800-446-6444.

www.farenhyt.com



Assembled in the U.S.A