

# Line Isolator Module

## IDP-ISO

The IDP-ISO is a SLC loop line isolator module for use with the Honeywell Farenhyt Series fire alarm control panels (FACPs). The IDP-ISO acts as an automatic switch that opens when the line voltage on the signaling line circuit (SLC) loop drops below four volts. Isolator modules should be spaced between groups of sensors or modules in a loop to protect the rest of the loop. If a short occurs between any two isolators, then both isolators immediately switch to an open circuit state and isolate the devices between them. The remaining units on the SLC loop continue to fully operate. No more than 25 devices are recommended for each group.

### Installation

The IDP-ISO mounts directly into a 4" square electrical box. The box must have a minimum depth of 2-1/8". A surface mount electrical box (System Sensor® PN SMB500) is available from Honeywell.



**IDP-ISO**

### Compatibility

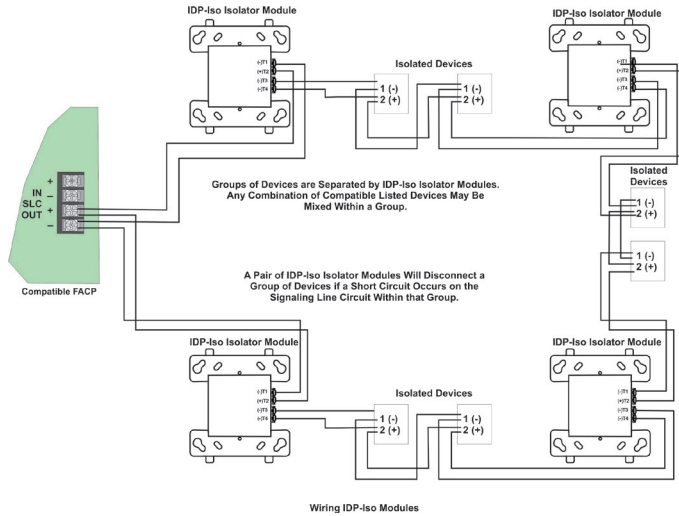
The IDP-ISO is compatible with the following Farenhyt Series FACPs:

- IFP-2100 / IFP-2100ECS / RFP-2100
- IFP-2000 / IFP-2000ECS / RPS-2000
- IFP-1000 / IFP-1000ECS
- IFP-300 / IFP-300ECS
- IFP-100 / IFP-100ECS
- IFP-75
- IFP-50

## FEATURES & BENEFITS

- Isolates short circuits on an SLC loop
- Protects the modules on the SLC loop so other devices continue to operate
- Panel controlled status LED that flashes green in normal state and is solid red in alarm
- Standard 4 inch electrical box mounting
- SEMS screws for easy wiring
- UL Listed
- CSFM Listed
- MEA Listed 427-91-E Vol. X

# IDP-ISO Technical Specifications



## SPECIFICATIONS\*

**Physical:** 4.5" H x 4" W x .25 D ( 11.4 x 10.2 x .6cm)  
**Shipping Weight:** 6.3oz (196g)

## ELECTRICAL RATINGS

**Operating Voltage:** 15 – 32VDC  
**SLC Standby Current:** 450µA (not isolating; relay closed)  
**Alarm Current:** 17mA  
**SLC Line Loop Resistance:** 40Ω

## ENVIRONMENTAL

**Operating Temperature:** 32°-120°F (0°C – 49°C)  
**Humidity:** 10 to 93% non-condensing)

## ORDERING INFORMATION

**IDP-ISO:** Line Isolator Module

## ACCESSORIES

**SMB500:** 4" Square Surface Mount Electrical Box

For a complete listing of all compliance approvals and certifications, please visit [www.farenhyt.com](http://www.farenhyt.com).

Microsoft, Windows, and the Windows Logo are registered trademarks or trademarks of Microsoft Corporation.

Honeywell® and System Sensor® are registered trademarks of and Farenhyt™ is a trademark of Honeywell International, Inc.

This document is not intended to be used for installation purposes. We try to keep our product information up-to-date and accurate. We cannot cover all specific applications or anticipate all requirements. All specifications are subject to change without notice.

For Technical Support, Please call 800-446-6444.

## For more information

Learn more about Honeywell's Farenhyt Series and other products available by visiting [www.farenhyt.com](http://www.farenhyt.com)

## Honeywell Security & Fire

12 Clintonville Road  
 Northford, CT 06472  
 800-328-0103