

# Farenhyt

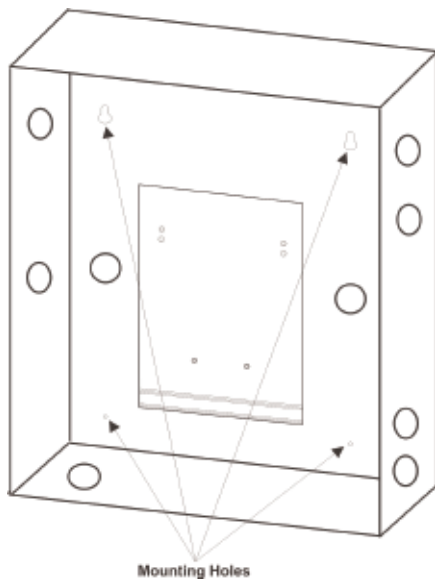
## IDP-ACB Cabinet

*The IDP-ACB cabinet provides mounting space for two IDP modules.*

*Note: Installation and wiring of this device must be done in accordance with NFPA 72 and local ordinances*

### Features

- Has a built-in mounting plate that positions the module boards so that all of the status indicators are visible.
- One to two module mounting in cabinet.
- UL Listed



Mounting the IDP-ACB using four mounting holes in a dry, indoor location. All mounting hardware is included with IDP modules

IDP Module Mounting Cabinet



**IDP-ACB**

### Compatibility

The IDP-ACB will accommodate one or two of the following modules.

- IDP-Monitor-10
- IDP-Zone-6
- IDP-Relay-6
- IDP-Control-6

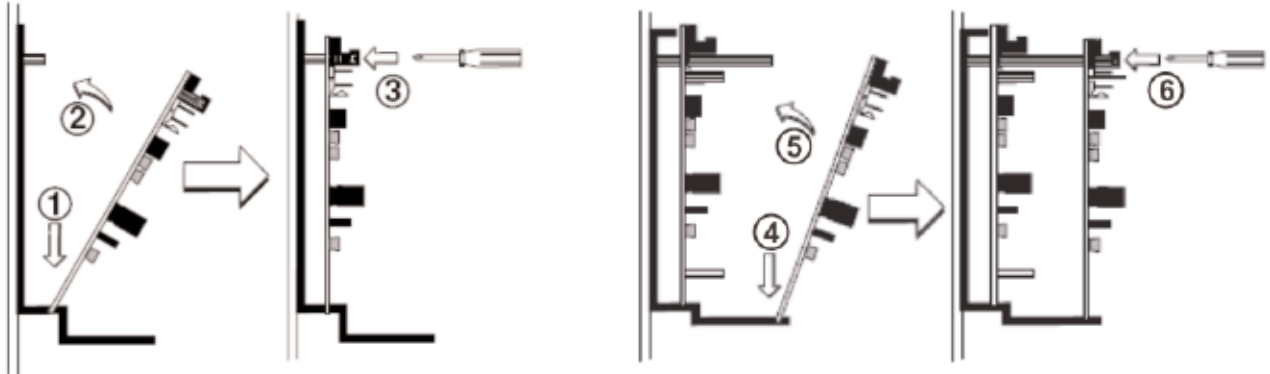


**SILENT  
KNIGHT**

by Honeywell

7550 Meridian Circle  
Maple Grove, Mn 55369-4927  
763-493-6455  
1-800-328-0103  
Fax: 763-493-6475  
<http://www.farenhyt.com>

P/N 350365  
Copyright © 2007 Silent Knight



## Installing Modules

### Specifications

Mounting: Surface

Dimensions: 12-1/2"W x 15-1/4"H x 3"D  
(31.8 cmW x 38.7 cm H x 7.6 cm D)

Weight: 6.25 lbs (2.8kg)

### Ordering Information

IDP-ACB      IDP module cabinet



This document is not intended to be used for installation purposes. We try to keep our product information up-to-date and accurate. We cannot cover all specific applications or anticipate all requirements. All specifications are subject to change without notice. For more information, contact Silent Knight 7550 Meridian Circle Suite 100, Maple Grove, Mn 55369-4927. Phone: (800) 328-0103, Fax: (763) 493-6475.



Made in the U.S.A.