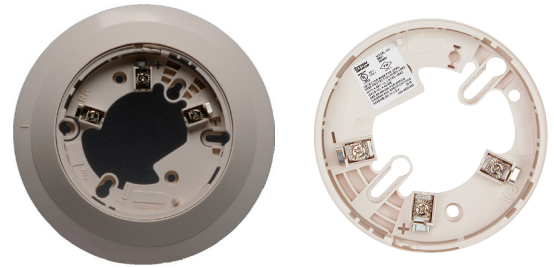


Addressable Detector Bases

B210LP and B501

The B210LP 6" Mounting Base and the B501 4" Mounting Base are plug-in detector bases for IDP style detectors intended for use with Silent Knight IFP-series fire alarm control panels (FACPs).

The B210LP and B501 have screw terminals for power (+) and (-) and remote annunciator connections. Communication takes place over the power (+) and (-) lines.



B210LP

B501

Installation

The B210LP and B501 can be mounted on a variety of junction boxes as shown in the tables below.

U.S. Junction Box Selection Guide*

MODEL	SINGLE GANG	3.5" OCT	4" OCT	4" SQ
B210LP	Yes	Yes	Yes	Yes
B501	No	Yes	No	No

Metric Junction Box Selection Guide*

MODEL	50MM	60MM	70MM	75MM
B210LP	No	No	No	No
B501	Yes	Yes	Yes	No

* Box depth is contingent on base and wire size. Refer to the National Electric Code or applicable local codes for appropriate recommendations.

Compatibility

The B210LP and B501 are compatible with the following IDP series detectors:

- IDP-Photo Photoelectric Smoke Detector
- IDP-Photo-T Photoelectric Smoke Detector with Thermal
- IDP-Acclimate Multicriteria Photoelectric Smoke Detector
- IDP-Heat Fixed Temperature Thermal Detector
- IDP-Heat-ROR Rate-of-Rise Detector with Thermal
- IDP-Heat-HT Fixed High Temperature Thermal Detector

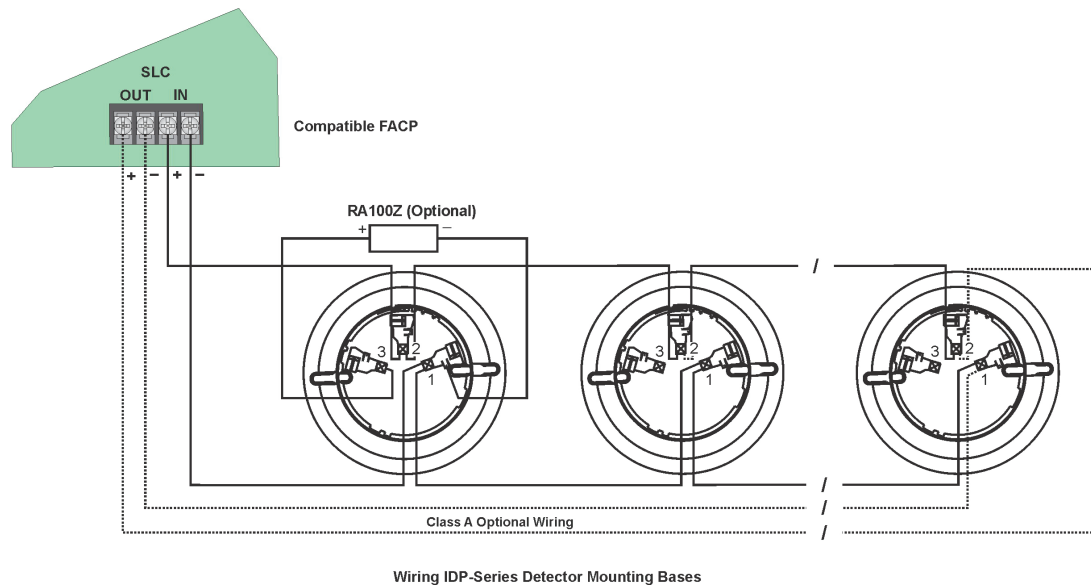
The B210LP and B501 are compatible with the following Farenhyt Series FACPs:

- IFP-2100 / IFP-2100ECS / RFP-2100
- IFP-2000 / IFP-2000ECS / RPS-2000
- IFP-1000 / IFP-1000ECS
- IFP-300 / IFP-300ECS
- IFP-100 / IFP-100ECS
- IFP-75
- IFP-50

FEATURES & BENEFITS

- Plug-in mounting provides ease of installation
- Tamper-proof feature prevents removal of the detector without the use of a tool
- Range of mounting options to meet any application
- Rotary address switches for fast installation
- Optional remote LED annunciator (PN RA100Z)
- SEMS screws
- 12-22 AWG wire ranges for installation flexibility
- UL Listed
- CSFM Listed
- MEA Listed 205-94-E Vol. IX

B210LP and B501 Technical Specifications



SPECIFICATIONS

Physical

B210LP Diameter: 6.1" (155 mm)

B501 Diameter: 4.1" (104 mm)

ELECTRICAL RATINGS

Operating Voltage: 15 to 32VDC

Wire Gauge: 18-12

SLC Standby and Alarm Current: 170 μ A

Terminals

Terminal 1: Power (-) and Optional RA100Z

Terminal 2: Power (+)

Terminal 3: Optional RA100Z Remote Annunciator

ENVIRONMENTAL

Operating Temperature: 32°-120°F (0°C – 49°C)

Humidity: 10 to 93% non-condensing)

ORDERING INFORMATION

B210LP: 6" Mounting Base

B501 4: Mounting Base

B210LPBP: 6" Mounting Base bulk pkg of 10

ACCESSORIES

RA100Z: Remote LED Annunciator.

XR2B: Detector Removal Tool. A removal and replacement tool for IDP plug-in detectors. Includes the T55-127-000.

M02-04-00: Detector Test Magnet.

M02-09-00: Test Magnet with Telescoping Handle.

XP-4: Extension Pole for XR2B. Extends from 5 – 15 ft.

T55-127-000: Detector Removal Head.

BCK-200B: Black Detector Kit. For IDP-series detectors.

F210: Accessory flange ring for B210LP

For a complete listing of all compliance approvals and certifications, please visit www.farenhyt.com.

Microsoft, Windows, and the Windows Logo are registered trademarks or trademarks of Microsoft Corporation.

Honeywell® and System Sensor® are registered trademarks of and Farenhyt™ is a trademark of Honeywell International, Inc.

This document is not intended to be used for installation purposes. We try to keep our product information up-to-date and accurate. We cannot cover all specific applications or anticipate all requirements. All specifications are subject to change without notice.

For Technical Support, Please call 800-446-6444.

For more information

Learn more about Honeywell's Farenhyt Series and other products available by visiting www.farenhyt.com

Honeywell Security & Fire

12 Clintonville Road
Northford, CT 06472
800-328-0103

Doc 350295 | Rev H | 09/17
© 2017 Honeywell International Inc.

Honeywell
THE POWER OF **CONNECTED**