

# ECS-RVM

## Remote Voice Module Product Installation Document

### 1 Description

The ECS-RVM Remote Voice Module is contained within the ECS-LOC or ECS-2100LOC Local Operator Console. It provides a supervised microphone for live communication and an interface for the Emergency Communication System.

**NOTE:** Installation and wiring of this device must be done in accordance with NFPA 72 and local ordinances.

### 2 Compatibility

The ECS-RVM is compatible with the following Honeywell Farenhyt Series FACP:

- IFP-2100ECS
- IFP-2000ECS
- IFP-1000ECS
- IFP-300ECS
- IFP-100ECS

**NOTE:** For programming and DIP switch settings, refer to the *FACP Manual*.

### 3 Specifications

- Standby Current: 60mA
- Alarm Current: 80mA

### 4 Board Layout and Mounting

1. Open the cabinet door and the dead front panel.
2. Remove AC power and disconnect the backup batteries from the main control panel.

3. Mount the ECS-RVM in the middle section of the dead front on the six mounting studs. See Figure 1 for hole locations and Figure 4 for board mounting location.

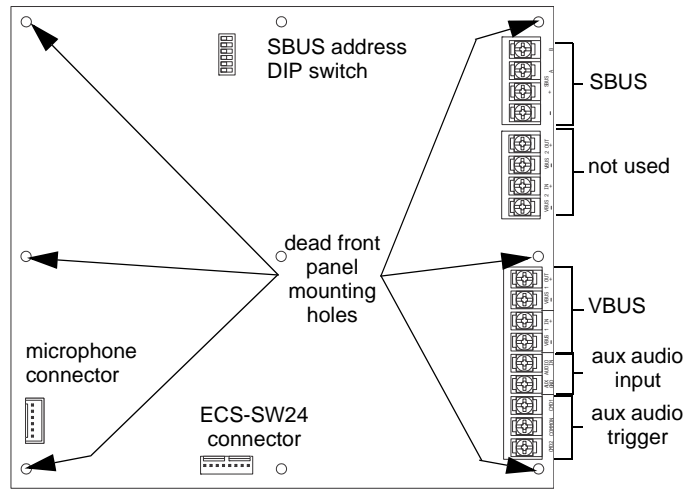


Figure 1 Back View of ECS-RVM

### 5 Wiring to an FACP

Figure 2 belows shows how to properly wire the ECS-RVM to the FACP SBUS.

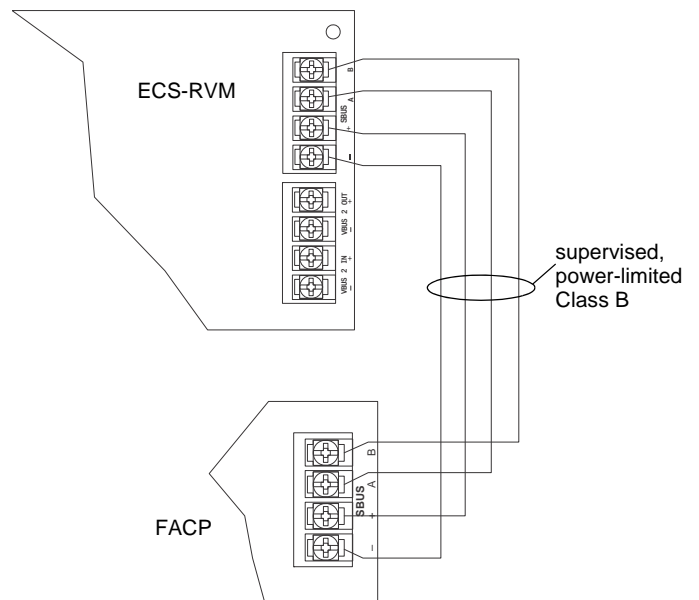
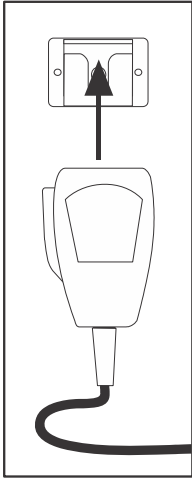


Figure 2 Wiring the ECS-RVM to the FACP

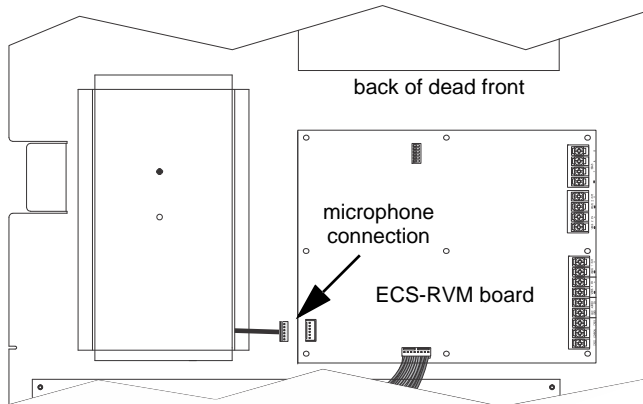
## 5.1 Installing the Microphone

1. Clip the microphone onto the microphone clip.



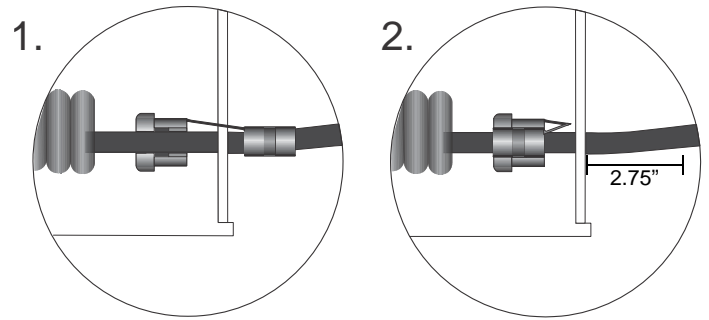
**Figure 3 Hang Microphone onto Microphone Clip**

2. Insert microphone cord through hole at the bottom of the dead front panel.



**Figure 4 Microphone Cord Inserted Through Dead Front Panel Hole**

3. Attach strain relief clip to microphone cord. The strain relief clip should have about 2.75" of microphone cord through it.



**Figure 5 Installing Strain Relief Clip**

4. Push the strain into the hole in the dead front panel.
5. Attach connector to the ECS-RVM board.
6. Restore AC power and reconnect the backup batteries.

### Honeywell Security & Fire

12 Clintonville Road  
Northford, CT 06472-1610  
203.484.7161  
www.farenhyt.com

151451 | D | 02/22  
©2022 Honeywell International Inc.

**Honeywell**