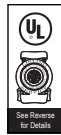


STI SMOKE DETECTOR DAMAGE STOPPER®



STI-8100



STI-8200-W



STI-8230-SS

PRODUCT OVERVIEW

Stainless Steel

This heavy-duty, 1.2 mm stainless steel cover features a natural resistance to corrosion making it an excellent choice for applications where food is present as well as water treatment plants and correctional facilities. Available for flush mount (STI-8200-SS) or with a conduit spacer for surface mount (STI-8230-SS, shown) applications. Easy to install, it helps assure the smoke detector will remain operational where vandalism and accidental damage are causing false fire alarms or high maintenance costs.

Coated Cold-Rolled Steel

Here is a protective cover for persons who prefer the strength and durability of steel but need not be concerned with the presence of food in the area. Fabricated from 1.5 mm cold rolled steel, it has a white corrosion-resistant polyester coating. As the stainless steel cover, it is available for flush mount (STI-8200-W) or with a spacer for surface mount (STI-8230-W) applications. Surface models include tamper-resistant fasteners for added protection against vandalism. Tamperproof fasteners are available for flush models.

Polycarbonate

The Stopper is designed for easy installation in areas prone to vandalism or physical abuse, which can lead to false alarms and high maintenance costs. Made of highly durable polycarbonate material, they are easily removable for servicing the protected smoke detector.

KEY FEATURES

General Information

- Covers protect against severe vandalism and accidental damage.
- Helps assure smoke detectors will be operational when needed.
- Three year guarantee against breakage in normal use.

Design

- Aesthetically pleasing.

Construction

- Exceptional durability.
- UL Listed to U.S. and Canadian safety standards for use with specific smoke detectors. See reverse for details.
- Stainless steel models constructed of 304 corrosion resistant stainless steel (considered surgical or medical-grade).

Installation

- Easy installation and easy removal for servicing detectors.

Options

- Choice of stainless steel, coated cold rolled steel or polycarbonate.
- Available conduit spacers allow them to be easily mounted over surface mount detectors with or without conduit.

STI Smoke Detector Damage Stopper®

Dimensions and Technical Information

MODELS AVAILABLE

Polycarbonate

- STI-8100** Clear, flush mount Smoke Detector Damage Stopper
- STI-8100-BK** Black, flush mount Smoke Detector Damage Stopper
- STI-8100-W** White, flush mount Smoke Detector Damage Stopper
- STI-8130** Clear, surface mount Smoke Detector Damage Stopper with conduit spacer

Stainless Steel (1.2 mm)

- STI-8200-SS*** Smoke Detector Damage Stopper - flush mount - stainless steel
- STI-8230-SS*** Smoke Detector Damage Stopper with conduit spacer - surface mount - stainless steel

Cold Rolled Steel coated white (1.5 mm)

- STI-8200-W** Smoke Detector Damage Stopper - flush mount - white coated steel
- STI-8230-W** Smoke Detector Damage Stopper with conduit spacer - surface mount - white coated steel

Accessories:

- STI-8101** Polycarbonate stackable 2" conduit spacer for use with STI-8100 (included with STI-8130)
- STI-8171** Mounting backplate for flush and surface mount models. Recommended for irregular and unstable mounting surfaces such as drop ceilings and beams
- STI-8201-SS** Stainless steel spacer for conduit applications
- STI-8201-W** Cold rolled steel spacer for conduit applications
- KIT-81** Tamper resistant screws, #8 x 2" snake eye (quantity 4) for use with STI-8100
- KIT-82** Tamper proof stainless steel screws for flush mounted covers
- KIT-19038** Tamper bit for KIT-81 and KIT-82

* Constructed of 304 corrosion resistant stainless steel (considered surgical or medical-grade stainless steel).

APPROVALS & WARRANTY

TESTING

STI-8100*, STI-8200 and STI-8230 models are UL Listed (No. S3504) for use with no sensitivity adjustment with the following smoke detectors:

System Sensor Smoke Detector Models 2251, 2251T, 2251B, 2251TB, 2251TM, 2251TMB, 2251BR, 2551, 2551T, FCI Models ASD-PL, ASD-P, ASD-PH, ASD-PTL, ASD-FILTREX, ASD-FILTREXF, MCS-ACCLIMATE, ASD-PL2, ASD-PL2F, ASD-PTL2, ASD-PTL2F, MCD-ACCLIMATE2, MCS-ACCLIMATE2F, ASD-PL2FR, Secutron Models MRI-2251, MRI-2251B, EST Models 2251F, 2251FB, Mircom Model MIX-2251, JCI Model 2951J, ADT Model 2951ADT, Fire-Lite Model SD355, Gamewell Model SS-P, Intelligent Systems Model ISL 2251, Honeywell Models TC806B1001, TC806B1076, and Notifier Models FSP-751, FSP-851

STI-8100* only: Sentrol Smoke Detector Models 611UD, 612UD, 721UD and 731UD, Siemens detector head Models PE-11, HFP-11, HFPO-11, SPF-11, SPFO-11 to be used with detector base model DB-11, System Sensor FTX-P1

STI-8200 only: Mircom Model MIX-2251FB

STI-8100* or STI-8230: MIRCOCOM Model MIX-2251B

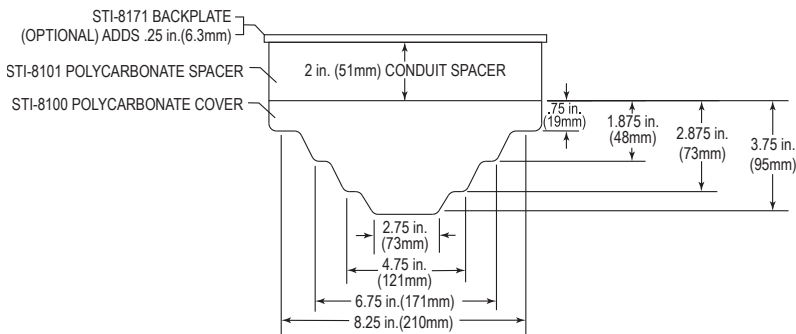
STI-8130* models are UL Listed (No. S3504) for use with no sensitivity adjustment with the following smoke detectors: Sentrol Smoke Detector Models 611UD, 612UD, 721UD and 731UD.

* all under 300 fpm.

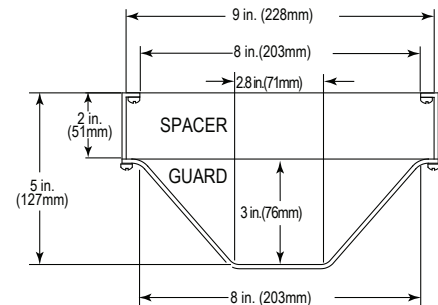
NOTE: Covers are to be used at your own risk if mounted over a non UL Listed product.

WARRANTY

Three year guarantee against breakage in normal use.



**STI-8100 AND STI-8130
PRODUCT DIMENSIONS**



**STI-8200 AND STI-8230
PRODUCT DIMENSIONS**



**Safety Technology
International**

2306 Airport Road info@sti-usa.com
Waterford, MI www.sti-usa.com
48327, USA Tel:248-673-9898

Taylor House
34 Sherwood Rd., Bromsgrove,
Worcs., B60 3DR, England

info@sti-emea.com
www.sti-emea.com
Tel: +44 (0) 1527 520 999

Unit 7A Lockheed Avenue
Airport Business Park
Waterford X91 HWF2 Ireland