

SEISKIT-BB25

Product Installation Document

PN 53939:C 1/17/2023 ECN: 29084

1 Overview

The instructions that follow describe requirements for seismic installations using the SEISKIT-BB25 with a BB-25 backbox and Power Sonic batteries.

The SEISKIT-BB25 hardware that accompanies this document must be used to secure the batteries to the backbox. It consists of a battery bracket, three screws, and two nuts to secure the bracket over the batteries. When used in combination with the instructions in this document, the installation will meet the requirements of the following standards.

- ASCE 7 - American Society of Civil Engineers document
- IBC (International Building Code) - Referencing ASCE 7 and ICC AC-156
- CBC (California Building Code) - Referencing ASCE 7

2 Cabinet Mounting

Specific hardware and installation procedures must be used when mounting the cabinet to conform with seismic rating requirements. Wood, concrete, and steel mounting requirements differ.

2.1 Mounting to Wood



NOTE: Wood lag screws must be embedded 2" (5 cm) minimum into wood. Sheetrock does not count as part of the 2" (5 cm) embedment. Install per the requirements of ICC ESR-2236.

1. If necessary, frame to match the backbox mounting holes.
2. Mark and pre-drill four holes for mounting bolts.
3. Place cabinet over the holes.
4. Install six 1/4" (0.6 cm) wood lag screws, using six 1/4" (0.6 cm) regular flat washers.

2.2 Mounting to Concrete



NOTE: Hilti Kwik Hus-EZ (KH-EZ) 1/4" (0.6 cm) anchors must be embedded 2" (5 cm) into a concrete masonry wall (CMU), per the requirements of ICC ESR-1385.

1. Mark and pre-drill four holes for the mounting bolts.
2. Place cabinet over the holes. Install four 1/4" (0.6 cm) diameter Hilti Kwik Hus-EZ (KH-EZ) anchors, using four 1/4" (0.6 cm) regular flat washers.

2.3 Mounting to Steel Studs

- Use 1/4" Hilti Kwik-Pro self drilling screws per ICC ESR-2196.

2.4 U-Struts

- Use A1000 Series Unistrut with A1006-1420 (Channel Nut with Spring, 1-1/4" Series), which will accommodate the 1/4" (0.6 cm) hardware.
- Span shall not be greater than width of unit + 12" (30.5 cm).
- Anchor into substrate per sections 2.1, 2.2 and 2.3.
- Install per manufacturer's instructions.

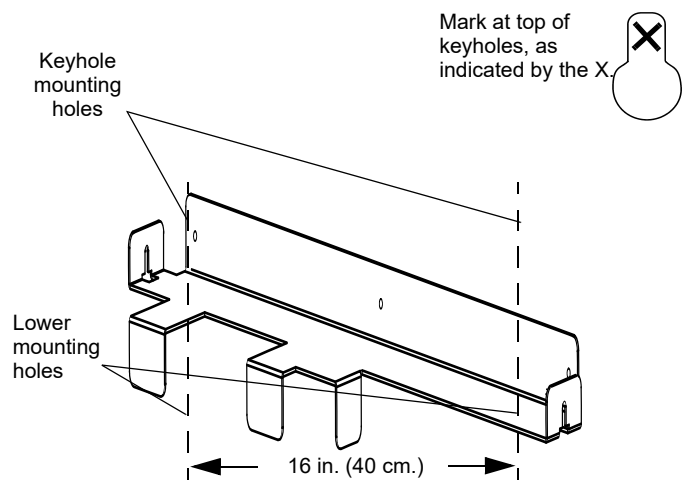
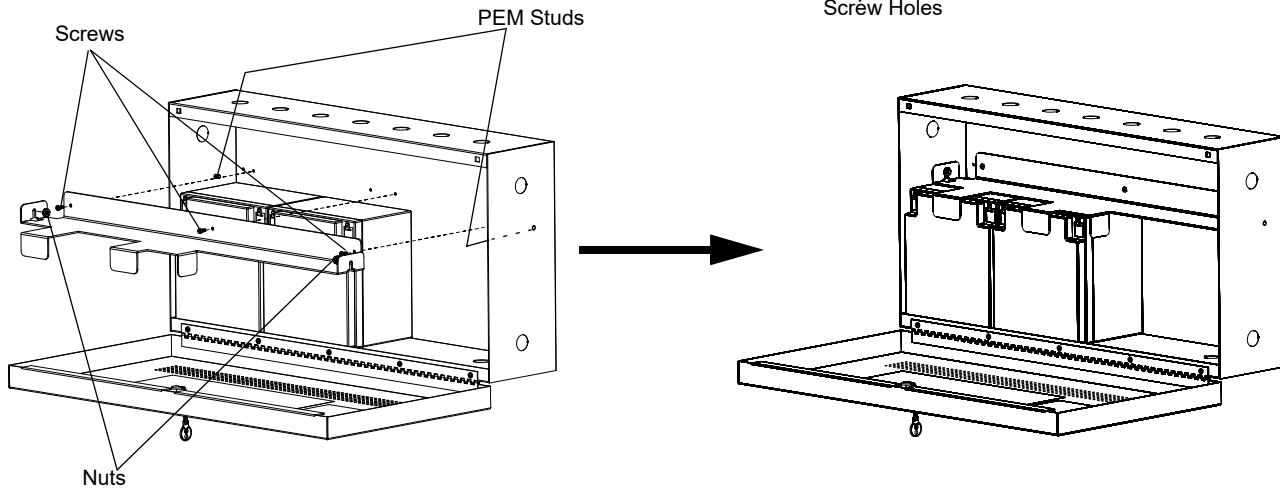
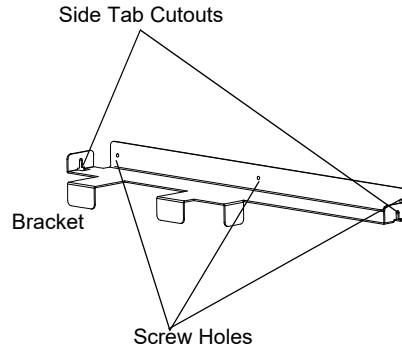


Figure 1 Backbox Mounting

3 Battery Bracket Installation

1. Place batteries in bottom left of cabinet.
2. Position bracket over batteries, aligning bracket screw holes with backbox screw holes and bracket side tab cutouts over backbox PEM studs.
3. Attach back of bracket to cabinet with three screws (#8-32 PPHD, p.n 38132), included.
4. Attach bracket side tabs to backbox PEM studs with two KEPS nuts (10-32, p/n 36048), included.



NOTE: Power Sonic batteries, p/n PS-12260, must be used in this installation. Substitutions are not acceptable.

Figure 2 Mounting the Battery Strap

4 Ceiling-mounted Devices

Ceiling-mounted devices, such as smoke detectors and notification appliances, should be mounted to the structure in accordance with any applicable codes or standards.