

# SEISKIT-320/B26

## Product Installation Document

PN 53850:B 12/16/2022 ECN: 27423

## 1 Overview

The instructions that follow describe requirements for seismic installations using a SEISKIT-320/B26 with an NFS-320, IFC-320, IQ-318, or BB-26 with Power Sonic batteries.

The SEISKIT-320/B26 hardware that accompanies this document must be used to secure the batteries to the backbox. It consists of a two-piece battery bracket and two nuts to secure the bracket over the batteries. When used in combination with the instructions in this document, the installation will meet the requirements of the following standards:

- ASCE 7 - American Society of Civil Engineers document
- IBC (International Building Code) - Referencing ASCE 7 and ICC AC-156
- CBC (California Building Code) - Referencing ASCE 7

## 2 Cabinet Mounting

Specific hardware and installation procedures must be used when mounting the cabinet to conform with seismic rating requirements. Wood, concrete, and steel mounting requirements differ.

### 2.1 Mounting to Wood



**NOTE:** Wood lag screws must be embedded 2" (5 cm) minimum into wood. Sheetrock does not count as part of the 2" (5 cm) embedment.

1. If necessary, frame to match the backbox mounting holes.
2. Mark and pre-drill four holes for mounting bolts.
3. Place cabinet over the holes.
4. Install four 1/4" (.6 cm) wood lag screws, using four 1/4" (.6 cm) regular flat washers.

### 2.2 Mounting to Concrete



**NOTE:** Hilti Kwik Hus-EZ (KH-EZ) anchors must be embedded 2" (5 cm) into a concrete masonry wall (CMU), per the requirements of ICC ESR-1385.

1. Mark and pre-drill four holes for the mounting bolts.
2. Place cabinet over the holes. Install four 1/4" diameter Hilti Kwik Hus-EZ (KH-EZ) anchors, using four 1/4" (.6 cm) regular flat washers.

### 2.3 Mounting to Steel Studs

- Use 1/4" Hilti Kwik-Pro self drilling screws per ICC ESR-2196.

### 2.4 U-Struts

- Use A1000 Series Unistrut with A1006-1420 through A1008-1420 (Channel Nut with Spring, 1-1/4" Series), which will accommodate the 1/4" (.6 cm) hardware.
- Span shall not be greater than width of unit + 12" (30.5 cm).
- Anchor into substrate per sections 1.1, 1.2, and 1.3.
- Install per manufacturer's instructions.

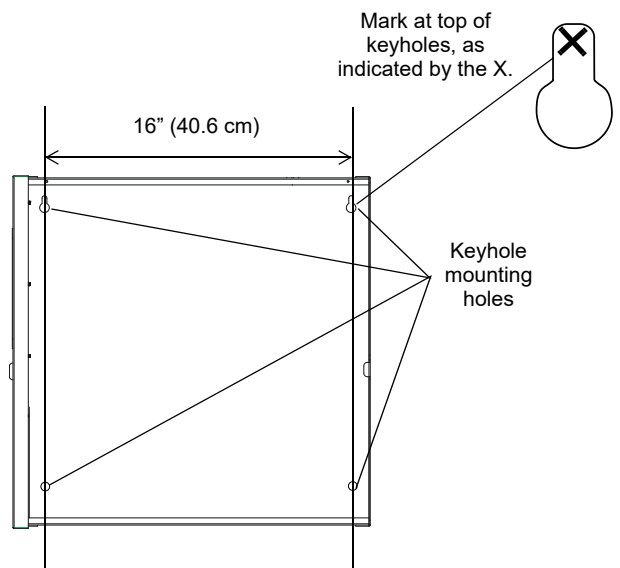


Figure 1 Mounting the Backbox

### 3 Battery Bracket Installation

1. Place batteries in bottom right of cabinet.  
**Note:** Batteries and bracket *must* be installed before any other equipment (e.g. power supply) in the bottom of the cabinet.
2. BB-26 ONLY - Add #10 flat washer (p/n 43155, included) to PEM stud prior to mounting bracket.

3. Slide tab on bracket top into slot on bracket side.
4. Place bracket assembly over batteries, aligning over cabinet PEM studs (shown below).
5. Attach bracket to cabinet PEM studs with two Keps #10-32 nuts, p/n 36048, included.

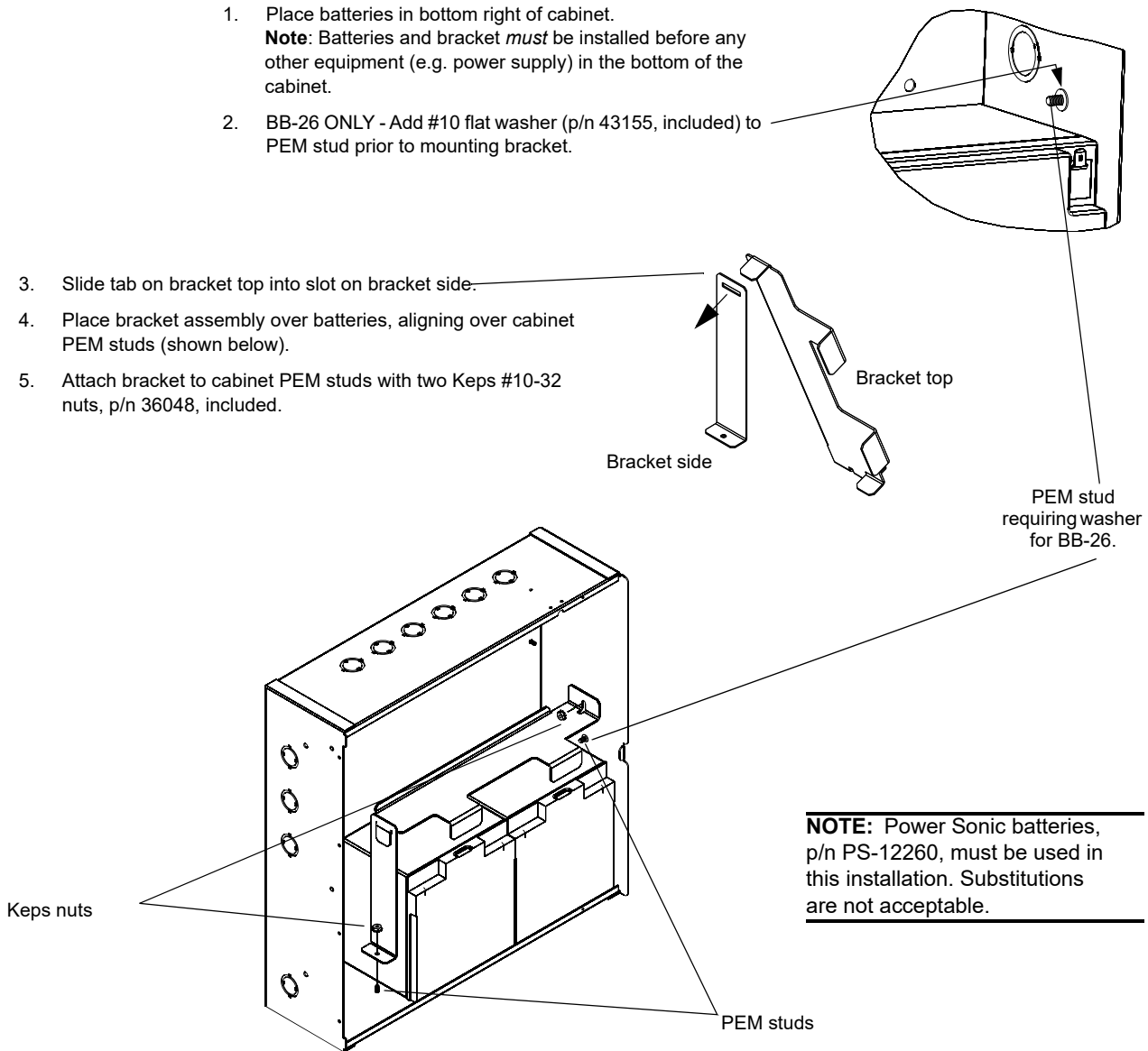


Figure 2 Mounting the Battery Strap

### 4 Ceiling-mounted Devices

Ceiling-mounted devices, such as smoke detectors and notification appliances, should be mounted to the structure in accordance with any applicable codes or standards.