



L-Series Outdoor Horns and L-Series with LED Outdoor Strobes and Horn Strobes

System Sensor L-Series and L-Series with LED Outdoor audible visible notification products are rich with features guaranteed to cut installation times and maximize profits with lower current draw and modern aesthetics.

Features

- Weatherproof per NEMA 4X, IP56 as a standalone device
- Rated from -40°F to 151°F
- Electrically compatible with Legacy SpectrAlert Advance and SpectrAlert devices at 16-33 VDC
- Field-selectable candela settings on wall units: 15, 30, 75, 95, 110, 135, and 185
- Field-selectable candela settings on ceiling units: 15, 30, 75, 95, 115, 150, and 177
- Rotary switches for candela, horn, and volume
- Mounting plates with wirenuts are provided to make the connection between the field wiring and the mounting plates
- Synchronization through use of UL approved power supplies that support System Sensor Sync or System Sensor MDL Sync Module
- Tamper-resistant construction
- Listed for ceiling or wall mounting
- Compact size for Wall Mount

Agency Listings



Horn Strobes and Strobes:
S5512, S4011



3057072
FM23FPUS0195



7125-1653-0537
7300-1653-0536
7125-1653-0535
7135-1653-0534



The System Sensor L-Series Outdoor and L-Series with LED Outdoor platforms offer the most versatile and easy-to-use line of Weatherproof Horns, Horn Strobes, and Strobes that can meet virtually any application requirement, including indoor, outdoor, wet, dry, and washdown environment applications in temperatures from -40°F to 151°F.

The L-Series Outdoor and L-Series with LED Outdoor appliances are NEMA 4X and IP56 rated without having to seal the backbox. Additional caulk or sealant are not required on the backbox for a faster, cleaner installation. The L-Series platform offers a modern aesthetic across the Indoor and Outdoor platform and design variations across applications: wall or ceiling mount, red or white color choices, LED colored lenses for distinctive visual signaling. In addition, installers can easily adjust appliances through field selectable candela, tone, and volume selections using rotary switches.

LED technology offers significantly lower current draw compared to older Xenon bulbs across a full candela range. This improves design flexibility for notification appliance circuits (NACs) while also reducing power supply requirements allowing for simpler and lower cost installations. UL listed waterproof wirenuts are provided to make the connection between the field wiring and the mounting plates.

Outdoor devices ship with plastic back boxes that accommodate in-and-out wiring for daisy chaining devices. Knock-outs located on the back eliminate the need to drill holes for screw-in mounting. Note: When replacing SpectrAlert Advance products, the backbox should be updated to the L-Series with LED backbox

Product Specifications

Physical/Electrical Specifications	
Standard Operating Temperature	-40°F to 151°F (-40°C to 66°C)
Humidity Range	0 to 95 ±5%
Strobe Flash Rate	1 flash per second
Nominal Voltage	Regulated 24 VDC
Operating Voltage Range	16 to 33 V (24 V nominal)
Wiring between Fire Alarm Control Panel (FACP) and weatherproof back plate	12 to 18 AWG
Environmental Considerations	Devices meet rating requirements for NEMA 4X, Type 4X, and IP56 as a standalone device

Dimensions	
Wall Strobes and Horn Strobes (including lens)	5.84" L x 3.76" W x 1.56" D (148mm x 95.5mm x 39.6mm)
Wall Strobes and Horn Strobes (including lens) with SBBGRL/WL Surface Mount Back Box	5.84" L x 3.76" W x 3.72" D (148mm x 95.5mm x 94.5mm)
Ceiling Strobes and Horn Strobes (including lens)	6.8" diameter x 2.22" D (173mm x 56.4mm)
Ceiling Strobes and Horn Strobes (including lens) with SBBGRL/WL Surface Mount Back Box	6.98" diameter x 4.72" D (177.3mm x 120mm)
Wall Horns	5.84" L x 3.76" W x 1.56" D (148mm x 95.5mm x 39.6mm)
Wall Horns with SBBGRL/WL Surface Mount Back Box	5.84" L x 3.76" W x 3.11" D (148mm x 95.5mm x 79mm)

NOTE: SBBGRL Surface Mount Back box intended for horns, horn strobes, and strobes.

UL/ULC Maximum Strobe Current Draw (mA)

UL/ULC Maximum Horn Current Draw (mA) and Sound Output (dBA)	
Candela Rating	16 to 33 Volts DC
15	18
30	22
75	70
95	75
110	85
115	90
135	105
150	110
177	115
185	120
FCP*	(future)
*FCP Fire Control Panel, future use	

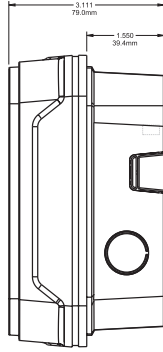
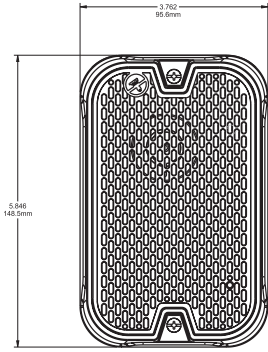
UL/ULC Maximum Horn Current Draw (mA RMS)

UL/ULC Maximum Horn Current Draw (mA) and Sound Output (dBA)				
Pos	Sound pattern	Volume Setting (dB)	Current Draw (mA RMS), Horn	Sound Output (dBA)
			16-33 Volts DC	16-33 Volts DC
1	Temporal	High	35	85
2	Temporal	Low	35	77
3	Non-Temporal	High	50	85
4	Non-Temporal	Low	35	77
5	3.1KHz Temporal	High	35	82
6	3.1KHz Temporal	Low	35	75
7	3.1KHz Non-Temporal	High	40	82
8	3.1KHz Non-Temporal	Low	35	75

UL/ULC Maximum Horn Strobe Current Draw (mA) and Sound Output (dBA)

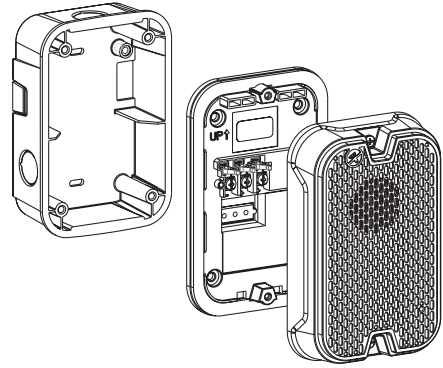
Pos	Tone	Volume Setting	Current Draw (mA RMS), Horn Strobe, Candela Range (15-185 cd)										Sound Output (dBA)	
			16-33 Volts											16-33 V DC
			15cd	30cd	75cd	95cd	110cd	115cd	135cd	150cd	177cd	185cd		
		WALL		CEILING		WALL		CEILING		CEILING		WALL		
1	Temporal	High	35	38	87	92	94	120	189	189	190	190	190	85
2	Temporal	Low	35	38	87	92	94	120	135	135	145	145	145	77
3	Non-Temporal	High	50	52	87	92	94	120	127	127	135	135	135	85
4	Non-Temporal	Low	35	38	87	92	94	120	125	125	130	130	130	77
5	3.1KHz Temporal 3	High	35	38	87	89	91	115	155	155	165	165	165	82
6	3.1KHz Temporal 3	Low	35	38	87	89	91	115	128	130	135	135	135	75
7	3.1KHz Non-Temporal	High	40	42	87	89	91	115	125	125	135	135	135	82
8	3.1KHz Non-Temporal	Low	35	38	87	89	91	115	120	120	130	130	130	75

L-Series with LED Outdoor Dimensions: Wall-Mounted Equipment



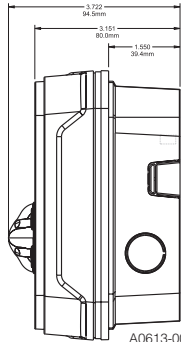
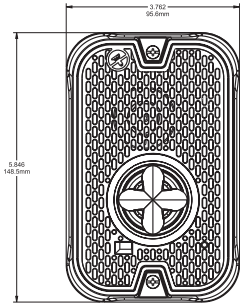
A0547-00

Outdoor Compact Wall Horn with Compact Surface Mount Back Box (SBBGRL/SBBGWL)



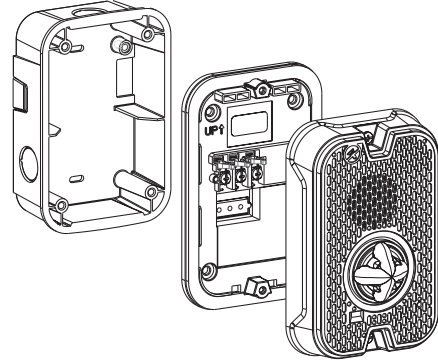
A0557-00

Outdoor Compact Wall Horn with Compact Surface Mount Back Box (SBBGRL/SBBGWL)



A0613-00

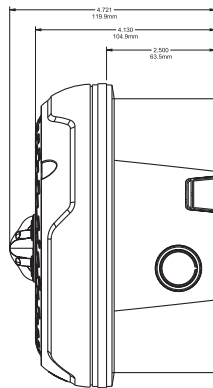
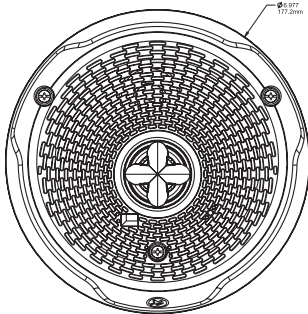
Outdoor Compact Strobes, Horn Strobes for Wall with Compact Surface Mount Back Box (SBBGRL/SBBGWL)



A0554-01

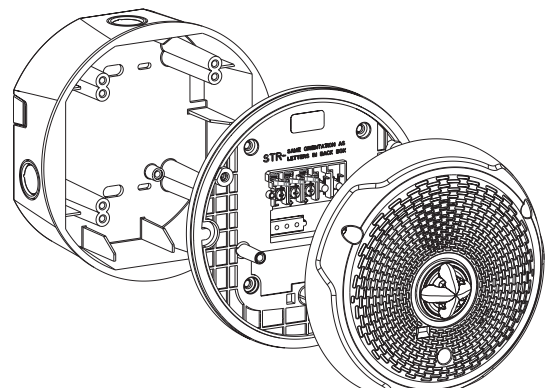
Outdoor Compact Strobes, Horn Strobes for Wall with Compact Surface Mount Back Box (SBBGRL/SBBGWL)

L-Series with LED Outdoor Dimensions: Ceiling-Mounted Equipment



A0608-00

Strobes, Horn Strobes for Ceilings with Surface Mount Back Box (SBBGRL/SBBGWL)



A0546-00

Strobes, Horn Strobes for Ceilings with Surface Mount Back Box (SBBGRL/SBBGWL)

L-Series with LED Outdoor: Ordering Information

Model	Description
L-Series with LED Outdoor Horn Strobes	
P2GRKLED	2-Wire, Compact Horn Strobe, Wall, Red
P2GRKLED-P	2-Wire, Compact Horn Strobe, Wall, Red, Plain
P2GRKLED-B	2-Wire, Compact Horn Strobe, Wall, Red, Bilingual
P2GWKLED	2-Wire, Compact Horn Strobe, Wall, White
P2GWKLED-P	2-Wire, Compact Horn Strobe, Wall, White, Plain
P2GWKLED-B	2-Wire, Compact Horn Strobe, Wall, White, Bilingual
PC2RKLED	2-Wire, Horn Strobe, Ceiling, Red
PC2RKLED-P	2-Wire, Horn Strobe, Ceiling, Red, Plain
PC2RKLED-B	2-Wire, Horn Strobe, Ceiling, Red, Bilingual
PC2WKLED	2-Wire, Horn Strobe, Ceiling, White
PC2WKLED-P	2-Wire, Horn Strobe, Ceiling, White, Plain
PC2WKLED-B	2-Wire, Horn Strobe, Ceiling, White, Bilingual
L-Series with LED Outdoor Strobes	
SGRKLED	Compact Strobe, Wall, Red
SGRKLED-P	Compact Strobe, Wall, Red, Plain
SGRKLED-B	Compact Strobe, Wall, Red, Bilingual
SGWKLED	Compact Strobe, Wall, White
SGWKLED-P	Compact Strobe, Wall, White, Plain
SGWKLED-B	Compact Strobe, Wall, White, Bilingual
SCRKLED	Strobe, Ceiling, Red
SCRKLED-P	Strobe, Ceiling, Red, Plain
SCRKLED-B	Strobe, Ceiling, Red, Bilingual
SCWKLED	Strobe, Ceiling, White
SCWKLED-P	Strobe, Ceiling, White, Plain
SCWKLED-B	Strobe, Ceiling, White, Bilingual
L-Series Outdoor Horns	
HGRKL	Compact Horn, Red
HGRKL-B	Compact Horn, Red, Bilingual

Model	Description
LED Lenses	
LENS-A3	Lens LED Amber Wall/Ceiling
LENS-B3	Lens LED Blue Wall/Ceiling
LENS-G3	Lens LED Green Wall/Ceiling
LENS-R3	Lens LED Red Wall/Ceiling
Accessories	
SBBGRL	Compact Wall Surface Mount Back Box, Red
SBBGWL	Compact Wall Surface Mount Back Box, White
SBBCRL	Ceiling Surface Mount Back Box, Red
SBBCWL	Ceiling Surface Mount Back Box, White

Notes for L-Series With LED Outdoor Horn Strobes and Strobes:

All -P models have a plain housing (no "FIRE" marking on cover).
 All -SP models have "FUEGO" marking on cover.
 All -ALERT models have "ALERT" marking on cover.
 All -B models have "FIRE/FEU" marking on cover for use in Canadian applications.

3825 Ohio Avenue • St. Charles, IL 60174 USA
 Phone: 800-SENSOR2 • Fax: 630-377-6495
www.systemsensor.com

3333 Unity Drive, Mississauga, ON L5L 3S6 Canada
 Phone: 800-SENSOR2 • Fax: 905-812-0771
www.systemsensor.ca

System Sensor® is a registered trademark
 of Honeywell International, Inc.



©2024 System Sensor.
 Product specifications subject to change without notice. Visit systemsensor.com
 for current product information, including the latest version of this data sheet.
 AVDS-62173.A • 07/02/2024