

REMOTE INDICATOR UNIT

RI/W/3V

The RI/W/3V remote indicator unit is designed for fire detection systems requiring local indication of an individual or group of fire detectors in alarm.

The unit is fitted with LED providing a wide area of illumination and high on/off contrast for easy viewing.

Using a single gang purpose designed moulding, the unit operates with all Morley-
IAS analogue addressable fire detectors.



RI/W/3V

FEATURES

- Industrial construction
- Terminal block wiring
- Ultra-bright LED
- Suitable for analogue addressable systems

SPECIFICATIONS

RI/W/3V - Remote Indicator Unit

MECHANICAL SPECIFICATION

Height	100mm
Width	89mm
Body Colour	White with red lettering
Wire Gauge for Terminals	1.5mm ²
Mounting	Designed to fit to a standard UK BS1363 single gang back-box

ELECTRICAL CONFIGURATION

Operating Voltage	5 to 28Vdc
-------------------	------------

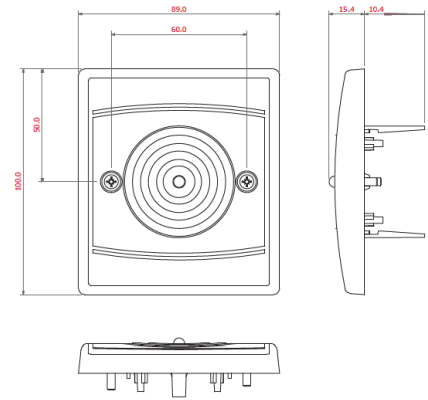
SYSTEM	RESISTANCE	TERMINALS	CURRENT
Addressable	0Ω	2,3	28 mA Max Temperature Range

ORDER DETAILS

REMOTE INDICATOR UNIT	RI/W/3V
-----------------------	---------

Installation Recommendations

For analogue addressable systems connect across LED (terminals 2&3)



Dimensions: mm

For more information:

www.morley-ias.co.uk

Honeywell Morley IAS

140 Waterside Road
Hamilton Industrial Park
Leicester
LE5 1TN

T: +44 (0) 203 409 1779

E: sales@morleyias.co.uk

For further details on these or any other Morley-IAS products please contact your local distributor, Morley-IAS Business Manager or via our contact details found below.

HMIAS-RI/W/3V UK | 01 | 07/21
© 2021 Honeywell International Inc.