

CFFT-1 Chassis for FireFighter's Telephone Single Row Product Installation Document

PN 53289:A1 1/26/2010 10-035

1 Product Overview

The CFFT-1 Chassis for FireFighter's Telephone and the DP-CFFT Dress Plate (ordered separately) are used to mount a firefighter's telephone and one optional ACS annunciator in a single row of a CAB-4 or CAB-3 Series cabinet.

This single row FFT mounting option is designed to be mounted in the row beneath a DVC mounted in a single row chassis (CA-1). This mounting option provides an attractive alternative for applications where the DVC double row chassis (CA-2) cannot be used in the top two rows, as well as providing an easy method of adding FFT capability to an existing application configured with a CA-1.

2 Hardware

The CFFT-1 ships with the following hardware:

- CFFT-1 Chassis
- CFFT-1 Phone Well
- TELH-1 Telephone Handset with Cradle
 - two (2) #6-32 x 0.25" long screws, P/N 38009
 - one (1) strain relief bushing, P/N 43323
- two (2) #6-32 keps nuts, P/N 36046
- hardware kit to attach chassis to backbox, P/N 90107
 - two (2) #8-32 flat washers, P/N 43123
 - two (2) #8-32 keps nuts, P/N 36047

The DP-CFFT Dress Plate (required) must be ordered separately. While the CAB-4 and -3 Series doors may be mounted with the hinge on either the left or right, note that the DP-CFFT can *only* be mounted with the hinge on the left side.

3 Installation

1. Mount the TELH-1 Handset and Cradle to the CFFT-1 Phone Well. Secure through the back of the well with the two (2) #6-32 screws. Feed the telephone cord through the keyhole on the top of the phone well. Snap the strain relief bushing around the telephone cord and push the bushing into place until it is firmly seated.

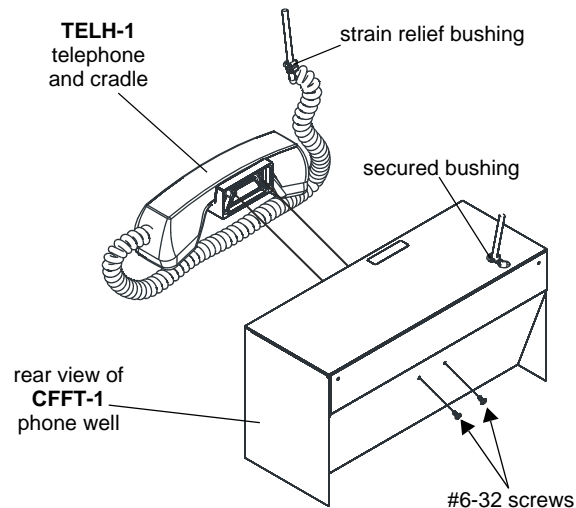


Figure 1 Installing the TELH-1

- Place the phone well onto the chassis studs as shown. Secure with the two (2) #6-32 keps nuts.

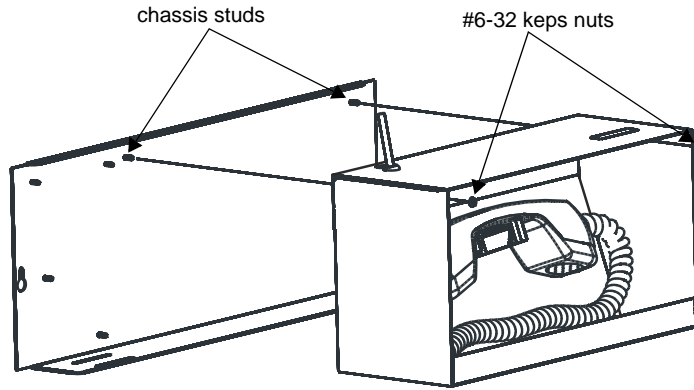


Figure 2 Installing the Well onto the Chassis

- Install the chassis onto the studs of the CAB-4 or CAB-3 Series backbox through the keyholes as illustrated. Fasten using the two (2) #8-32 washers and hex nuts.

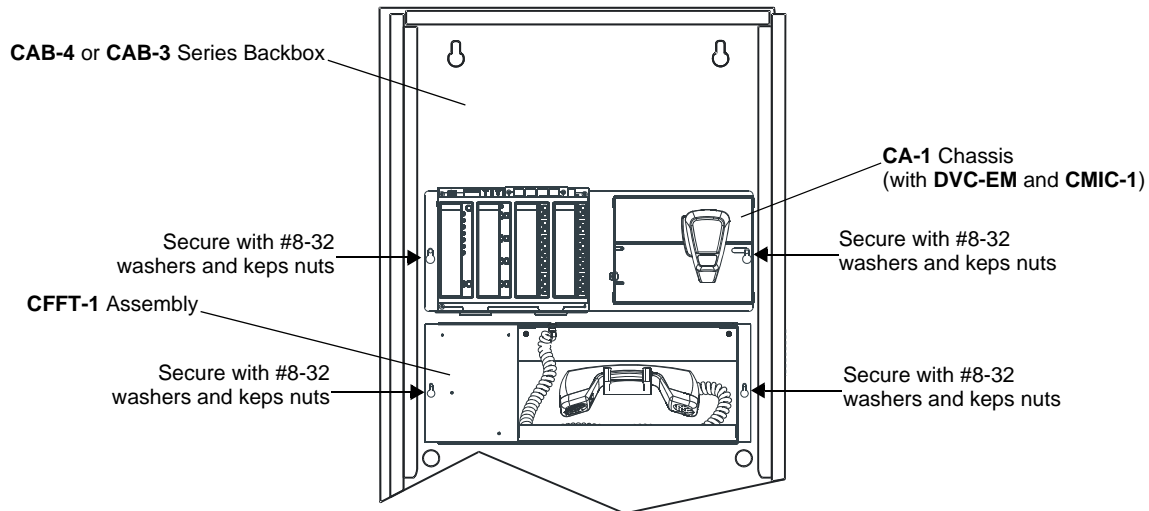


Figure 3 Installing the Chassis into the Backbox

- Plug the TELH-1 into J8 of the DVC-EM. See the *Digital Audio Series Manual* for more information.
- Secure the DP-CFFT over the chassis with the provided hardware after all installations are complete.

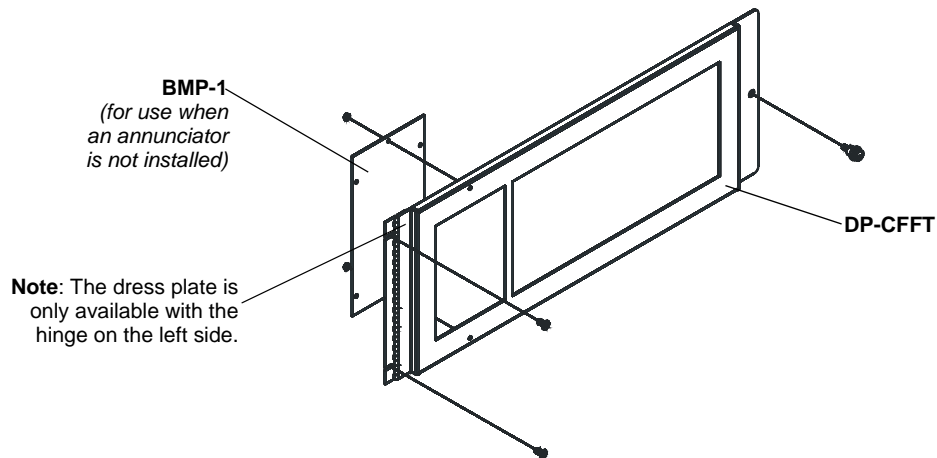


Figure 4 Installing the DP-CFFT