



RRS-MOD Reversing Relay/ Synchronization Module

The RRS-MOD reversing relay/synchronization module enhances the operation of 2- and 4-wire i³™ Series detectors equipped with a sounder.



Features

- Is compatible with 2- and 4-wire i³ detectors equipped with a sounder
- Activates all i³ sounders on a loop when one alarms
- Synchronizes all i³ sounders on the loop for a clear alarm signal
- Is usable with bell/alarm, alarm relay, or NAC outputs
- Has a field-selectable switch to accommodate both coded and continuous alarm signals
- Allows i³ detector silencing from the panel or keypad
- Operates on 12 and 24 volt systems
- Simplifies connections with quick-connect harness and color-coded wires

Installation ease. The RRS-MOD reversing relay/synchronization module includes a Velcro® attachment for easy installation into the fire alarm control panel cabinet. A quick-connect harness and color-coded wires simplify connections.

Intelligence. The RRS-MOD module's design is flexible to accommodate virtually any application. It is compatible with both 2- and 4-wire i³ Series detectors operating over 12 V and 24 V systems. The module can be used with either bell/alarm, alarm relay, or NAC outputs, and its field selectable switch accommodates both coded and continuous alarm signals.

Instant inspection. To meet fire alarm requirements, the RRS-MOD reversing relay/synchronization module activates all i³ sounders on a loop when an individual sounder alarms. Additionally, it synchronizes the output of the i³ sounders, regardless of whether the panel's alarm signal is continuous or coded, to ensure a clear alarm signal.

Agency Listings



RRS-MOD Specifications

Architectural/Engineering Specifications

Reversing relay/synchronization module shall be a System Sensor i³™ Series model number RRS-MOD, listed to Underwriters Laboratories as a smoke detector accessory. The module shall allow all 2-wire and 4-wire i³ Series detectors equipped with a sounder on a loop to sound when one alarms. The module shall provide a switch to toggle between coded mode and continuous mode. When in coded mode, the module shall synchronize the i³ sounders on the loop to mirror the input signal. When in continuous mode, the module shall synchronize the i³ sounders on the loop to the ANSI S3.41 temporal coded pattern. In either coded or continuous modes, the RRS-MOD module shall permit sounders to be silenced at the panel. The RRS-MOD module shall operate between 8.5 and 35 VDC, and shall provide 18 AWG stranded, tinned conductors connected to a quick-connect harness.

Physical Specifications

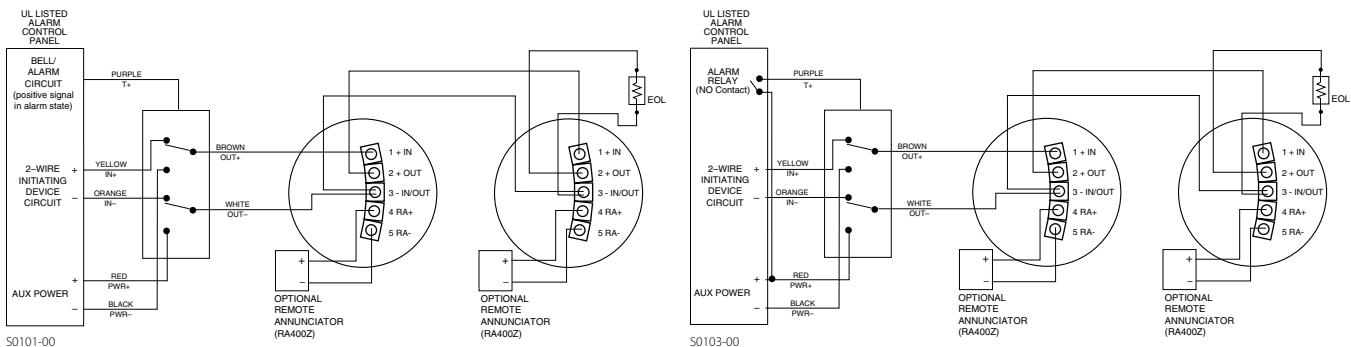
Dimensions	2.5 in H x 2.5 in W x 1 in D (63 mm x 63 mm x 25 mm)
Operating Temperature Range	32°F to 131°F (0°C to 55°C)
Wire Connections	18 AWG stranded, tinned, 16 in length
Operating Humidity Range	5% to 85% non-condensing

Electrical Specifications

Operating Voltage	Nominal: 12/24 V Min: 8.5 V Max: 35 V
Average Operating Current:	25 mA
Relay Contact Rating	2 A @ 35 VDC

Wiring Diagrams

NOTE: These diagrams represent two common wiring methods. Refer to the RRS-MOD installation manual for additional wiring configurations.



2-Wire System Triggered from Alarm/Bell Circuit

2-Wire System Triggered from Alarm Relay Contact

Ordering Information

Part No.	Description
RRS-MOD	Reversing relay/synchronization module for i ³ Series smoke detectors



3825 Ohio Avenue • St. Charles, IL 60174
Phone: 800-SENSOR2 • Fax: 630-377-6495

©2007 System Sensor.
Product specifications subject to change without notice. Visit systemsensor.com for current product information, including the latest version of this data sheet.
A05-0350-001 • 8/07 • #1676