



Audible Visible Accessories

System Sensor L-Series offers a wide range of Audible Visible (AV) accessories to enable you to meet a variety of application requirements.



Features

MP120KL Mounting Plate

- Designed for both indoor and outdoor use
- Plug-in design eliminates ground faults
- Power supply that converts 120 VAC to nominal 24 V FWR
- Compatible with all two-wire L-Series devices

Color Lens Attachments

- Easily turns any device into a strobe for ECS/MNS events: severe weather, toxic gases, sprinkler activation and more
- Outdoor rated from -35°F to 151°F
- Wall- or ceiling-mount lenses available
- UL 1638 listed

Bezel Kits

- Easily turn a Fire or Plain device into a device to meet ECS/MNS requirements
- Bezel kits available for strobes, horns, chimes, horn strobes, chime strobes and speaker strobes
- Bezel options with FIRE, ALERT, EVAC, AGENT, PLAIN, FUEGO, FOGO printing
- For use with L-Series devices only
- Operating temperature -40°F to 151°F

The **MP120KL Mounting Plate** is designed to use 120 VAC to power SpectrAlert Advance horns, strobes, horn strobes, chimes, and chime strobes.

Color Lens Attachments install easily on any L-Series strobe devices to provide distinctive visual signaling.

Bezel Kits enable installers to easily turn any L-Series Fire or Plain device into a device that meets ECN/MNS requirements. Bezel kits are available for all varieties and footprints of L-Series products and come in FIRE, ALERT, EVAC, AGENT, FUEGO, FOGO, and Plain options making customization easy.

Universal Trim Rings for wall and ceiling mount devices allow for additional space within the backbox.

L-Series Surface Mount Back Boxes are the best solution in locations where you have a hard surface to mount to.

The **Sync•Circuit Module** synchronizes L-Series strobes at 1 Hz and horns and chimes at temporal 3 over a single pair of wires. Patented module technology also allows the silencing of horns or chimes on horn strobe and chime strobe models over a pair of wires. See the Sync•Circuit Datasheet for more information.

Agency Listings



S5512
S4011
S4048



FM approved : 7125-1653:0504
Sync modules and MP120KL. 7135-1653:0503
3057383, 3057072, 3057493
Does not include color lenses.



Specifications

MP120KL

120 VAC mounting plate model MP120KL shall be listed to UL 464 for fire protective signaling systems. The mounting plate shall power a two-wire L-Series horn, strobe, horn strobe, chime or chime strobe from a 120 VAC supply converted to nominal 24 V FWR. For indoor applications, the mounting plate shall be installed in a 4x4x2¹/₈-inch junction box.

Compatibility

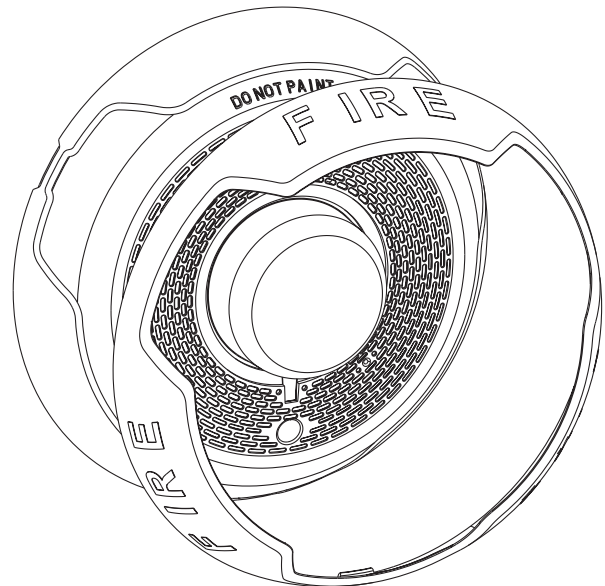
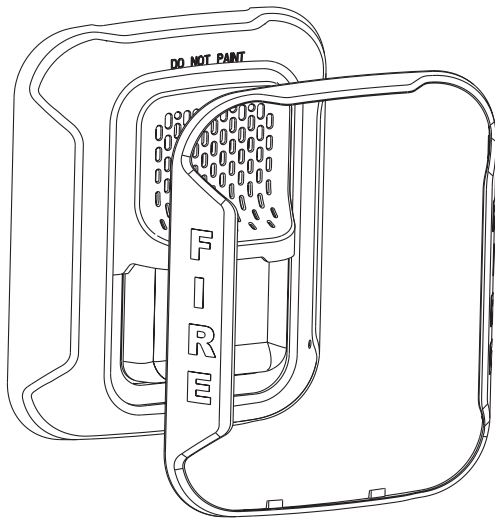
MP120KL may be used with any of the following products at all horn and strobe settings: P2RL, P2WL, P2RL-P, P2WL-P, P2RL-SP, P2WL-SP, PC2RL, PC2WL, SRL, SWL, SRL-P, SWL-P, SRL-SP, SWL-CLR-ALERT, SWL-ALERT, SCRL, SCWL, SCWL-CLR-ALERT, HRL, HWL, CHRL, CHWL, CHSRL, CHSWL, CHSCL, CHSCWL.

Physical/Operating Specifications

Standard Operating Temperature	-40°F to 151°F (-40°C to 66°C)
Humidity Range	10 to 93% non-condensing (indoor products)
Nominal Voltage	Regulated 120 VAC
Operating Voltage Range	96-132 VAC
Current Draw From AC Line	150 mA max.

L-Series Bezels

The System Sensor L-Series bezels are for installation with strobes, horns, chimes, horn strobes, chime strobes, and speaker strobes. Bezels are offered in red and white for both wall and ceiling devices. Available in FIRE, ALERT, EVAC, AGENT, Plain (no marking), FUEGO, and FOGO. Operating temperature shall be -40°F to 151°F.



Specifications

Colored Lens Attachments

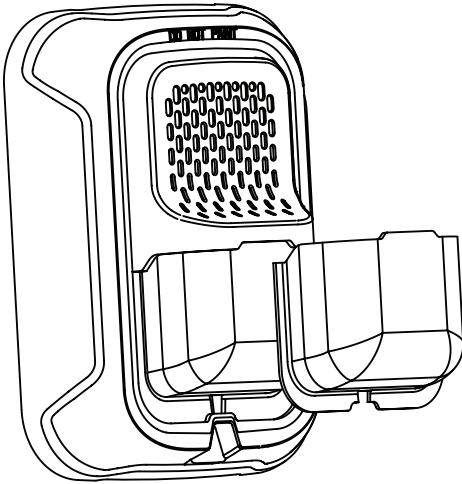
The System Sensor L-Series colored lens attachments shall be approved for fire protective service as listed in UL 1638. The lens attachments shall only be used with plain (no "FIRE" print) System Sensor strobe devices or in conjunction with a non-fire printed bezel. The lens shall mount to any wall- or ceiling-mount strobes and shall be rated from -35°F to 151°F .

Compatibility

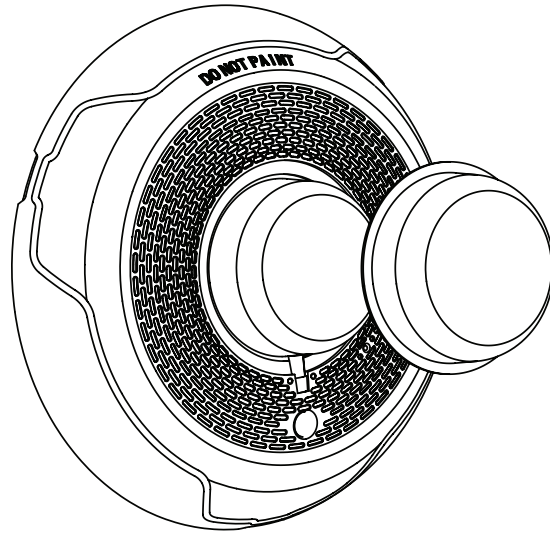
Colored lens attachments may be used with the following System Sensor L-Series plain (non-FIRE-printed) strobe models: P2RL-P, P2WL-P, SRL-P, SWL-P, SPSRL-P, SPSWL-P, SPSCWL-P, or any device used with a non-FIRE printed bezel.

Colored Lens Installation

Installation to Wall-Mount Strobe



Installation to Ceiling-Mount Strobe



Ordering Information

Part No.	Description
Surface Mount Back Box	
SBBRL	Red, wall-mount, compatible with standard horns, strobes, horn strobes, chimes and chime strobes
SBBWL	White, wall-mount, compatible with standard horns, strobes, horn strobes, chimes and chime strobes
SBBSPRL	Red, wall-mount, compatible with speakers and speaker strobes
SBBSPWL	White, wall-mount, compatible with speakers and speaker strobes
SBBCRL	Red, ceiling-mount compatible with horns, strobe, horn strobes, chimes, chime strobes, speakers and speaker strobes
SBBCWL	White, ceiling-mount, compatible with horns, strobe, horn strobes, chimes, chime strobes, speakers and speaker strobes
SBBGRL	Red, wall-mount, compatible with compact horns, strobes, horn strobes
SBBGWL	White, wall-mount, compatible with compact horns, strobes, horn strobes
Bezels*	
BZR	Wall Red Bezel Kit
BZW	Wall White Bezel Kit
BZGR	Compact Wall Red Bezel Kit
BZGW	Compact Wall White Bezel Kit
BZRC	Horn Strobe Ceiling Red Bezel Kit
BZWC	Horn Strobe Ceiling White Bezel Kit
BZSPR	Speaker Wall Red Bezel Kit
BZSPW	Speaker Wall White Bezel Kit
BZSPRC	Speaker Ceiling Red Bezel Kit
BZSPWC	Speaker Ceiling White Bezel Kit

*Each bezel pack ships in a package of 5. For desired bezel option add -F (FIRE), -AL (ALERT), -EV (EVAC), -AG (AGENT), -P (Plain), -SP (FUEGO), -PG (FOGO) for desired printing.

Part No.	Description
Colored Lenses	
LENS-B2	Wall-mount, blue
LENS-R2	Wall-mount, red
LENS-G2	Wall-mount, green
LENS-A2	Wall-mount, amber
LENS-BC2	Ceiling-mount, blue
LENS-RC2	Ceiling-mount, red
LENS-GC2	Ceiling-mount, green
LENS-AC2	Ceiling-mount, amber
Retrofit Plates (For use with horn strobe & speaker strobe devices)	
RFPW	9.5" x 7" white
RFP	9.5" x 7" red
Mounting Plate	
MP120KL	120 VAC Adapter Mounting Plate
Sync Modules	
MDL3W	White, 12/24 volt Sync-Circuit module
MDL3R	Red, 12/24 volt Sync-Circuit module
Trim Rings	
TR-2	Universal wall trim ring, red, 6.3" x 8.2"
TRC-2	Universal ceiling trim ring, red, diameter 8.5"
TR-2W	Universal wall trim ring, white, 6.3" x 8.2"
TRC-2W	Universal ceiling trim ring, white, diameter 8.5"

